



www.first4seals.com



Mechanical Seals to Suit Submersible Pumps

AESSEAL Marine plc, Unit 4 Venlo Industrial Estate, Knowles Street, Bradford, BD4 6HA, United Kingdom
Tel: +44 (0) 1274 720775 Fax: +44 (0) 1274 729022
Email: seals@first4seals.com - Web: www.first4seals.com

299H type mechanical seals to suit Hidrostal® Pumps

Page 03



FL mechanical seals to suit Flygt pumps and mixers

Page 10



Mechanical seals to suit Blackmer®, Grindex and other pumps

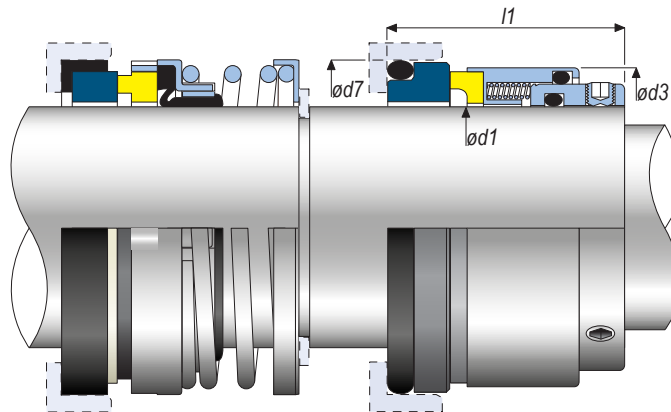
Page 22



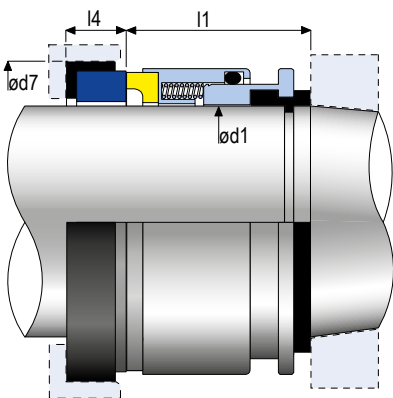
299H

Seals to suit Hidrostral® Pumps

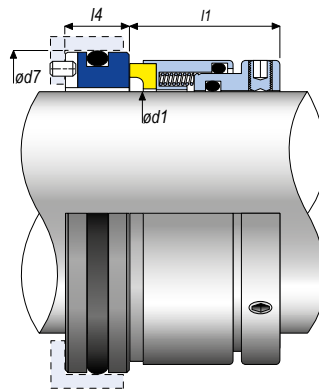
d1		d3		d7		l1		Seat Type
Metric	Inches	Metric	Inches	Metric	Inches	Metric	Inches	
28.6	1.125	43.1	1.698	44.4	1.750	38.1	1.500	O Ring Mounted
38.1	1.500	52.7	2.073	53.9	2.125	39.6	1.559	
50.8	2.000	65.9	2.593	69.8	2.750	46.6	1.835	
76.2	3.000	93.6	3.687	98.4	3.875	52.4	2.063	Boot Mounted



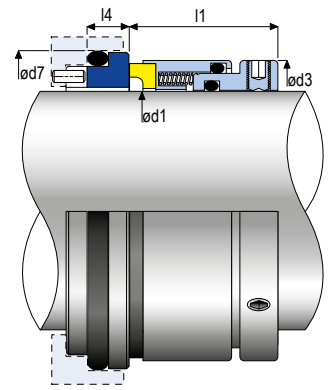
Size	d1		d3		d7		l1		l4	
	Metric	Imperial	Metric	Imperial	Metric	Imperial	Metric	Imperial	Metric	Imperial
0286	28.6	1.125	-	-	44.4	1.750	32.6	1.283	10.6	0.417
0381	38.1	1.500	-	-	53.9	2.125	34.7	1.366	11.1	0.437
0508	50.8	2.000	-	-	69.8	2.750	45.3	1.783	12.7	0.500
0950	95.0	3.740	112.8	4.439	123.8	4.875	49.2	1.937	17.4	0.685
1000	100.0	3.937	119.1	4.689	123.8	4.875	49.2	1.937	17.4	0.685
1150	115.0	4.527	134.9	5.312	142.9	5.625	36.5	1.437	12.5	0.492
1200	120.0	4.724	141.3	5.563	142.9	5.625	36.5	1.437	12.5	0.492



0286
0381
0508
(Size)



0950
1000
(Size)



1150
1200
(Size)

Flygt Pumps Reference List

Pump Model	Upper Seal options	Lower Seal Options	O' Ring Kit	Bearing Kit
2024 & Ready 24 (Pump)	2FL/0200/V26	2FL/0200D/X6RK6	2FL/0001/OKIT	2FL/0011/BKIT
2040, 2056, 2102.220	2FL/0220/X6RK6 (Upper seal)	2FL/0220/X6RK6 (Lower seal)	2FL/0034/OKIT	2FL/0015/BKIT
	2FL/0220C/X6RK6 (Upper seal)	2FL/0220C/X6RK6 (Lower seal)	2FL/0034/OKIT	2FL/0015/BKIT
2050 (Pump)	2FL/0150/X6KK6KV		2FL/0037/OKIT	2FL/0026/BKIT
2052 & Ready 12 (Pump)	2FL/0150/X6KK6KV		2FL/0036/OKIT	2FL/0026/BKIT
2060 (Pump)	2FL/0200B/X6RK6 (Upper seal)	2FL/0200B/X6RK6 (Lower seal)	2FL/0051/OKIT	2FL/0033/BKIT
	2FL/0200C/X6RR6 (No set screw alternative)	2FL/0200C/X6RR6 (No set screw alternative)		
2066 (Pump)	2FL/0200/V26	2FL/0200D/X6RK6	2FL/0001/OKIT	2FL/0011/BKIT
2070 (Pump)	2FL/0220B/X6RK6 (Upper seal)	2FL/0220B/X6RK6 (Lower seal)	2FL/0032/OKIT	2FL/0015/BKIT
2071 (Pump)	2FL/0220C/X6RK6 (Upper seal)	2FL/0220C/X6RK6 (lower seal)	2FL/0006/OKIT	2FL/0022/BKIT
2075.062 080 090 342 360 & 370	2FL/0200/V26	2FL/0200D/X6RK6	2FL/0002/OKIT	2FL/0013/BKIT
2075.050 100 322 323 324 333 334 380 381 480 490 590 690 & 790	2FL/0200/V26	2FL/0200D/X6RK6	2FL/0002/OKIT & 2FL/0002B/OKIT	2FL/0013/BKIT
2082 (Pump)	2FL/0280B/X6RK6 (Upper seal)	2FL/0280B/X6RK6 (lower seal)	2FL/0052/OKIT	2FL/0042/BKIT
2084 (Pump)	2FL/0350/X6VK6	2FL/0350B/X6RR6	2FL/0018/OKIT	2FL/0031/BKIT
2090 (Pump)	2FL/0280B/X6RK6 (Upper seal)	2FL/0280B/X6RK6 (lower seal)	2FL/0015/OKIT	2FL/0016/BKIT
2095 (Pump)	2FL/0220B/X6RK6 (Upper seal)	2FL/0220B/X6RK6 (Lower seal)	2FL/0005/OKIT	2FL/0011/BKIT
2101 (Pump)	2FL/0200/V26	2FL/0200D/X6RK6	2FL/0005/OKIT	2FL/0011/BKIT
2102.040 (Pump)	2FL/0220B/X6RK6 (Upper seal)	2FL/0220B/X6RK6 (Lower seal)	2FL/0005/OKIT	2FL/0015/BKIT
2102.041 & 210	2FL/0220/X6RK6 (Upper seal)	2FL/0220/X6RK6 (Lower seal)	2FL/0005/OKIT	2FL/0015/BKIT
	2FL/0220C/X6RK6 (Upper seal)	2FL/0220C/X6RK6 (lower seal)		
2125 (Pump)	2FL/0280B/X6RK6 (Upper seal)	2FL/0280B/X6RK6 (lower seal)	2FL/0014/OKIT	2FL/0016/BKIT
2125.220 (Pump)	2FL/0280B/X6RK6 (Upper seal)	2FL/0280B/X6RK6 (lower seal)	2FL/0015/OKIT	2FL/0016/BKIT
2135 (Pump)	2FL/0350/X6VK6	2FL/0350E/X6RK6	2FL/0053/OKIT	2FL/0043/BKIT
2140 (Pump)	2FL/0280B/X6RK6 (Upper seal)	2FL/0280B/X6RK6 (lower seal)	2FL/0014/OKIT	2FL/0016/BKIT
2151.010 (Pump)	2FL/0350/X6VK6	2FL/0350C/X6RR6	2FL/0017/OKIT	2FL/0018/BKIT
2151.011 & 050	2FL/0350/X6VK6	2FL/0350E/X6RK6	2FL/0017/OKIT	2FL/0018/BKIT
2201.010 (Pump)	2FL/0450B/V26	2FL/0350C/X6RR6	2FL/0022/OKIT & 2FL/0022B/OKIT	2FL/0019/BKIT
2201.011 MT & HT	2FL/0450B/V26	2FL/0350H/X6RR6	2FL/0022/OKIT	2FL/0019/BKIT
2201.011 LT (Pump)	2FL/0450B/V26	2FL/0450C/X6RR6	2FL/0022/OKIT	2FL/0019/BKIT
2201.320 430 480 590 & 690	2FL/0450/V26	2FL/0350H/X6RR6	2FL/0022/OKIT & 2FL/0022B/OKIT	2FL/0019/BKIT
2250 & 2290	2FL/0600B/V26	2FL/0600/X6RK6	2FL/0025/OKIT	2FL/0020/BKIT
2400 (Pump)	2FL/0600E/X6RK6	2FL/0600F/X6RR6	2FL/0029/OKIT	2FL/0021/BKIT
2610 (Pump)	2FL/0200F/X6RR6V2		2FL/0054/OKIT	2FL/0033/BKIT
2620 (Pump)	2FL/0200F/X6RR6V2		2FL/0055/OKIT	2FL/0044/BKIT
2630 & 2640	2FL/0200F/X6RR6V2		2FL/0056/OKIT	2FL/0045/BKIT
2660 (Pump)	2FL/0250B/X6RR6V2		2FL/0078/OKIT	2FL/0048/BKIT
2670 (Pump)	2FL/0350J/X6RR6V2		2FL/0057/OKIT	2FL/0040/BKIT
2730 2740 & 2750	2FL/0250C/X6VK6 (Upper seal)	2FL/0240/X6RR6 (Lower seal)	2FL/0079/OKIT & 2FL/0079B/OKIT	2FL/0049/BKIT

Pump Model	Upper Seal options	Lower Seal Options	O' Ring Kit	Bearing Kit
3041.171 & 180	2FL/0200B/X6RK6 or 2FL/0200C/X6RR6 (No set screw alternative)	2FL/0200B/X6RK6 (Lower seal)	2FL/0009/OKIT	2FL/0003/BKIT
		2FL/0200C/X6RR6 (No set screw alternative)		
		2FL/0200D/X6RK6		
3041.281 (Pump)	2FL/0200B/X6RK6 or 2FL/0200C/X6RR6 (No set screw alternative)	2FL/0200B/X6RK6 or 2FL/0200C/X6RR6 (No set screw alternative)	2FL/0009/OKIT	2FL/0003/BKIT
3045 (Pump)	2SBT/0150C/V26	2SBT/0150C/KK6	2FL/0058/OKIT	2FL/0046/BKIT
3050 (Pump)	2FL/0200D/X6RK6	2FL/0200D/X6RK6	2FL/0059/OKIT	2FL/0011/BKIT
3057.091 & 181	2FL/0200B/X6RK6 or 2FL/0200C/X6RR6 (No set screw alternative)	2FL/0200B/X6RK6 or 2FL/0200C/X6RR6 (No set screw alternative)	2FL/0013/OKIT	2FL/0022/BKIT
		2FL/0200D/X6RK6		
3057.180 (Pump)	2FL/0200B/X6RK6 or 2FL/0200C/X6RR6 (No set screw alternative)	2FL/0200B/X6RK6 or 2FL/0200C/X6RR6 (No set screw alternative)	2FL/0013/OKIT	2FL/0002/BKIT
		2FL/0200D/X6RK6		
3060 (Pump)	2FL/0200B/X6RK6 or 2FL/0200C/X6RR6 (No set screw alternative)	2FL/0200B/X6RK6 or 2FL/0200C/X6RR6 (No set screw alternative)	2FL/0038/OKIT	2FL/0033/BKIT
3065 (Pump)	2FL/0200D/X6RK6	2FL/0200D/X6RK6	2FL/0059/OKIT	2FL/0011/BKIT
3066 (Pump)	2FL/0200B/X6RK6 or 2FL/0200C/X6RR6 (No set screw alternative)	2FL/0200B/X6RK6 or 2FL/0200C/X6RR6 (No set screw alternative)	2FL/0012/OKIT	2FL/0001/BKIT
		2FL/0200D/X6RK6		
3067.090, 180 (F & Compact Versions), 590, 690 & 890	2FL/0200B/X6RK6 or 2FL/0200C/X6RR6 (No set screw alternative)	2FL/0200B/X6RK6 or 2FL/0200C/X6RR6 (No set screw alternative)	2FL/0008/OKIT & 2FL/0008C/ OKIT	2FL/0002/BKIT
		2FL/0200D/X6RK6		
3067.170 (F & Compact Versions)	2FL/0200B/X6RK6 or 2FL/0200C/X6RR6 (No set screw alternative)	2FL/0200B/X6RK6 or 2FL/0200C/X6RR6 (No set screw alternative)	2FL/0008/OKIT & 2FL/0008B/ OKIT	2FL/0002/BKIT
3067.170 (Not F or Compact Versions) & 250	2FL/0200B/X6RK6 or 2FL/0200C/X6RR6 (No set screw alternative)	2FL/0200B/X6RK6 or 2FL/0200C/X6RR6 (No set screw alternative)	2FL/0008/OKIT	2FL/0002/BKIT
3067.180 (Not F or Compact Versions)	2FL/0200B/X6RK6 or 2FL/0200C/X6RR6 (No set screw alternative)	2FL/0200B/X6RK6 or 2FL/0200C/X6RR6 (No set screw alternative)	2FL/0008/OKIT	2FL/0002/BKIT
		2FL/0200D/X6RK6		
3068.090, & 170, 250, 590 & 890	2FL/0200B/X6RK6 or 2FL/0200C/X6RR6 (No set screw alternative)	2FL/0200B/X6RK6 or 2FL/0200C/X6RR6 (No set screw alternative)	2FL/0040/OKIT	2FL/0002/BKIT
3068.180 (Pump)	2FL/0200B/X6RK6 or 2FL/0200C/X6RR6 (No set screw alternative)	2FL/0200B/X6RK6 or 2FL/0200C/X6RR6 (No set screw alternative)	2FL/0040/OKIT	2FL/0002/BKIT
		2FL/0200D/X6RK6		
3080	2FL/0200/V26	2FL/0200D/X6RK6	2FL/0003/OKIT	2FL/0013/BKIT
3082 (Pump)	2FL/0220B/X6RK6 (Lower seal)	2FL/0220B/X6RK6 (Upper seal)	2FL/0033/OKIT	2FL/0034/BKIT
3085.090, 091, 171, 181,	2FL/0200B/X6RK6 or 2FL/0200C/X6RR6 (No set screw alternative)	2FL/0200B/X6RK6 or 2FL/0200C/X6RR6 (No set screw alternative)	2FL/0007/OKIT	2FL/0001/BKIT
		2FL/0200D/X6RK6		

Pump Model	Upper Seal options	Lower Seal Options	O' Ring Kit	Bearing Kit
3085.092, 172, 182, 183 & 891	2FL/0200B/X6RK6 or 2FL/0200C/X6RR6 (No set screw alternative)	2FL/0200B/X6RK6 or 2FL/0200C/X6RR6 (No set screw alternative)	2FL/0007/OKIT	2FL/0022/BKIT
		2FL/0200D/X6RK6		
3085.120, 170, 180 & 890	2FL/0200B/X6RK6 or 2FL/0200C/X6RR6 (No set screw alternative)	2FL/0200B/X6RK6 or 2FL/0200C/X6RR6 (No set screw alternative)	2FL/0007/OKIT	2FL/0001/BKIT
3085.280, 290	2FL/0200B/X6RK6 (Upper seal)	2FL/0200D/X6RK6	2FL/0007/OKIT	2FL/0001/BKIT
3101 (Pump)	2FL/0280/X6RK6 (Lower seal)	2FL/0280/X6RK6 (Upper seal)	2FL/0004/OKIT	2FL/0024/BKIT
3102 (Pump)	2FL/0250/X6RK6 (Lower seal)	2FL/0250/X6RK6 (Upper seal)	2FL/0016/OKIT	2FL/0004/BKIT
3126.090, 180	2FL/0350/X6VK6	2FL/0350C/X6RR6	2FL/0019/OKIT	2FL/0005/BKIT
3126.091, 181, 280 & 290	2FL/0350/X6VK6	2FL/0350G/X6RK6	2FL/0019/OKIT	2FL/0005/BKIT
3127 (Pump)	2FL/0350F/V26	2FL/0350G/X6RK6	2FL/0020/OKIT	2FL/0006/BKIT
			2FL/0200B/OKIT (Additional 'O' rings for D, F & ST models)	
3140 (Pump)	2FL/0450B/V26	2FL/0450C/X6RR6	2FL/0023/OKIT	2FL/0007/BKIT
3151 (Pump)	2FL/0450B/V26	2FL/0450E/X6RK6	2FL/0060/OKIT	2FL/0008/BKIT
3152.090, 120 & 180	2FL/0450B/V26	2FL/0450C/X6RR6	2FL/0023/OKIT & 2FL/0023B/OKIT	2FL/0008/BKIT
3152.091, 181, 350 & 980	2FL/0450B/V26	2FL/0450C/X6RR6	2FL/0023/OKIT & 2FL/0023B/OKIT	2FL/0007/BKIT
3153.090 & 180	2FL/0350J/X6RR6V2		2FL/0041/OKIT	2FL/0005/BKIT
3153.091, 095, 181 & 185	2FL/0350J/X6RR6V2		2FL/0041/OKIT	2FL/0040/BKIT
3170 & 3201	2FL/0600B/V26	2FL/0600C/X6RR6	2FL/0027/OKIT	2FL/0009/BKIT
3171 (Pump)	2FL/0450F/X6RR6V2		2FL/0043/OKIT	2FL/0037/BKIT
3200 (Pump)	2FL/0600/X6RK6	2FL/0600B/V26	2FL/0026/OKIT	2FL/0030/BKIT
3202 (Pump)	2FL/0600G/X6RR6V2		2FL/0042/OKIT	2FL/0038/BKIT
3230, 3305, 3355 & 3357(Pump)	2FL/0900/X6BK6	2FL/0800/X6RR6		
3231 & 3306(Pump)	2FL/0900/X6BK6	2FL/0800/X6RR6	2FL/0065/OKIT	
3300 (Pump)	2FL/0900/X6BK6	2FL/0800/X6RR6	2FL/0030/OKIT	2FL/0010/BKIT
3301 (Pump)	2FL/0900C/X6RR6V2		2FL/0049/OKIT	2FL/0039/BKIT
3310, 3311, 3350 & 3600 (Pump)	2FL/0900/X6BK6	2FL/1200/X6RR6		
3312.7x5 (Pump)	2FL/0900/X6BK6	2FL/1200/X6RR6	2FL/0045/OKIT & 2FL/0068/OKIT	
3312.8x5 (Pump)	2FL/1050/X6VQ6	2FL/1200/X6RR6 (Old design impeller)	2FL/0045/OKIT & 2FL/0074/OKIT	
		2FL/1050B/X6RR6		
3351.9x5 (90mm shaft end) (Pump)	2FL/1050/X6VQ6	2FL/1200/X6RR6	2FL/0070/OKIT & 2FL/0075/OKIT	
3351.9x5 (110mm shaft end) (Pump)	2FL/1200B/XYRRYRV			
3356 (C/N) (Pump)	2FL/0900/X6BK6	2FL/0800/X6RR6	2FL/0065/OKIT	
3356 (L) (Pump)	2FL/0900/X6BK6	2FL/0800/X6RR6	2FL/0064/OKIT	
3356.6x5 (C, N3356) (Pump)	2FL/0900/X6BK6	2FL/0800/X6RR6	2FL/0065/OKIT & 2FL/0071/OKIT	
3356.6x5 (L3356) (Pump)	2FL/0900/X6BK6	2FL/0800/X6RR6	2FL/0064/OKIT & 2FL/0071/OKIT	
3356.7x5 (C, N3356) (Pump)	2FL/0900/X6BK6	2FL/0800/X6RR6	2FL/0065/OKIT & 2FL/0068/OKIT	

Pump Model	Upper Seal options	Lower Seal Options	O' Ring Kit	Bearing Kit
3356.7x5 (L3356) (Pump)	2FL/0900/X6BK6	2FL/0800/X6RR6	2FL/0064/OKIT &2FL/0068/OKIT	
3400.7x5 (C3400) (Pump)	2FL/0900/X6BK6	2FL/0900B/X6RR6	2FL/0069/OKIT &2FL/0068/OKIT	
3400.8x5 (C3400) (Pump)	2FL/1050/X6VQ6	2FL/1050B/X6RR6	2FL/0069/OKIT & 2FL/0074/OKIT	
3500 (Pump)	2FL/0900/X6BK6	2FL/1200/X6RR6	2FL/0039/OKIT & 2FL/0039B/OKIT	
3501.7x5, 3531.7x5 & 3602.7x5	2FL/0900/X6BK6	2FL/1200/X6RR6	2FL/0072/OKIT &2FL/0075/OKIT	
3501.8x5, 3531.8x5 & 3602.8x5	2FL/1050/X6VQ6	2FL/1200/X6RR6	2FL/0072/OKIT & 2FL/0074/OKIT	
3530 (Pump)	2FL/0900/X6BK6	2FL/1200/X6RR6	2FL/0039/OKIT & 2FL/0039/OKITC	
3531.9x5 & 3602.9x5 (90mm shaft end)	2FL/1050/X6VQ6	2FL/1200/X6RR6	2FL/0072/OKIT &2FL/0075/OKIT	
3531.9x5 (110mm shaft end) (Pump)	2FL/1200B/XYRRYRV			
3601 (Pump)	2FL/0900/X6BK6	2FL/1200/X6RR6	2FL/0039/OKIT & 2FL/0039D/OKIT	
3602.9x5 (110mm shaft end) (Pump)	2FL/1200B/XYRRYRV			
3800.9x5 (90mm shaft end) (Pump)	2FL/1050/X6VQ6	2FL/1200/X6RR6	2FL/0076/OKIT &2FL/0075/OKIT	
3800.9x5 (110mm shaft end) (Pump)	2FL/1200B/XYRRYRV			
4351 (Mixer)	2FL/0200B/X6RK6 (Upper seal)	2FL/0200D/X6RK6	2FL/0010/OKIT	2FL/0003/BKIT
4352 (Mixer)	2FL/0200B/X6RK6 (Upper seal)	2FL/0200D/X6RK6	2FL/0013/OKIT	2FL/0002/BKIT
4400 (Mixer)	2FL/0200B/X6RK6 (Upper seal)	2FL/0200E/X6RK6	2FL/0011/OKIT	2FL/0001/BKIT
4410 (Mixer)	2FL/0600C/X6RR6		2FL/0028/OKIT	2FL/0028/BKIT
4430 (Mixer)	2FL/0600C/X6RR6		2FL/0028/OKIT & 2FL/0028B/OKIT	2FL/0029/BKIT
4440 (Mixer)	2FL/0350F/V26	2FL/0350G/X6RK6	2FL/0021/OKIT	2FL/0006/BKIT
4451.010 & .090 (Mixer)	2FL/0350D/X6RR6		2FL/0061/OKIT	
4451.210 (Mixer)	2FL/0350D/X6RR6		2FL/0062/OKIT	
4501 (Mixer)	2FL/0450C/X6RR6		2FL/0024/OKIT	2FL/0027/BKIT
4610 & 4620	2FL/0200F/X6RR6V2		2FL/0047/OKIT	2FL/0011/BKIT
4630 & 4640	2FL/0250B/X6RR6V2		2FL/0044/OKIT	2FL/0036/BKIT
4650 & 4650	2FL/0450B/V26	2FL/0450C/X6RR6	2FL/0035/OKIT	2FL/0035/BKIT
		2FL/0450D/X6RR6		
	2FL/0450F/X6RR6V2			
4670 & 4680	2FL/0600B/V26	2FL/0600C/X6RR6	2FL/0048/OKIT	
		2FL/0600D/X6RK6		
	2FL/0600G/X6RR6V2			
5033 (Pump)	2FL/0450B/V26	2FL/0450C/X6RR6		
5100.210, 220 & 221	2FL/0350J/X6RR6V2		2FL/0041/OKIT & 2FL/0041B/OKIT	2FL/0005/BKIT
5100.211 (Pump)	2FL/0350J/X6RR6V2		2FL/0041/OKIT & 2FL/0041B/OKIT	2FL/0040/BKIT
5100.230 (22kw to 34kw) (Pump)	2FL/0600B/V26	2FL/0600D/X6RK6		2FL/0009/BKIT
5100.230 (8.8kw to 14.9kw) (Pump)	2FL/0450B/V26	2FL/0450D/X6RR6		2FL/0007/BKIT

Pump Model	Upper Seal options	Lower Seal Options	O' Ring Kit	Bearing Kit
5520 (Pump)	2FL/0250/X6RK6 (Upper seal)	2FL/0250/X6RK6 (Lower seal)		2FL/0004/BKIT
5530 (Pump)	2FL/0350F/V26	2FL/0350G/X6RK6		
5540 (Pump)	2FL/0450B/V26	2FL/0450D/X6RR6		
5550 (Pump)	2FL/0600B/V26	2FL/0600D/X6RK6	2FL/0046/OKIT	
600 (Motor unit)	2FL/0600B/V26	2FL/0600C/X6RR6		
605, 615 & 665 (Motor unit)	2FL/0900/X6BK6	2FL/0800/X6RR6	2FL/0071/OKIT	
670 & 680 (Motor unit)	2FL/0900/X6BK6	2FL/0800/X6RR6		
7045 (Pump)	2FL/0600B/V26	2FL/0600C/X6RR6		
705, 715, 735, 745, 765 & 775 (Motor unit)	2FL/0900/X6BK6	2FL/0800/X6RR6	2FL/0068/OKIT	
		2FL/1200/X6RR6		
		2FL/0900B/X6RR6		
7050 & 7051 (Pump)	2FL/0900/X6BK6	2FL/0800/X6RR6		
7055.600 (Pump)	2FL/0600B/V26	2FL/0600C/X6RR6		
7055.680, 7060, 7075 & 7556(Pump)	2FL/0900/X6BK6	2FL/0800/X6RR6		
7061.6x5 (Pump)	2FL/0900/X6BK6	2FL/0800/X6RR6	2FL/0077/OKIT & 2FL/0071/OKIT	
7061.7x5 (Pump)	2FL/0900/X6BK6	2FL/0800/X6RR6	2FL/0077/OKIT & 2FL/0068/OKIT	
7080 (Pump)	2FL/0900/X6BK6	2FL/0800/X6RR6		
		2FL/1200/X6RR6		
7081.7x5 (P7081) (Pump)	7081.7x5 (P7081) (Pump)	2FL/0800/X6RR6 (2 lower seal options)		
		2FL/0900B/X6RR6		
7081.8x5 (P7081) (Pump)	2FL/1050/X6VQ6	2FL/0900B/X6RR6 (2 lower seal options)		
		2FL/1050B/X6RR6		
7101.7x5 (Pump)	2FL/0900/X6BK6	2FL/0900B/X6RR6		
7101.8x5 (Pump)	2FL/1050/X6VQ6	2FL/0900B/X6RR6 (2 lower seal options)		
		2FL/1050B/X6RR6		
7115.8x5 & 9x5(Pump)	2FL/1050/X6VQ6	2FL/1200/X6RR6		
7121.8x5 (Pump)	2FL/1050/X6VQ6	2FL/1050B/X6RR6		
7121.9x5 (Pump)	2FL/1200B/XYRRYRV			
720, 721, 760 & 770 (Motor unit)	2FL/0900/X6BK6	2FL/0800/X6RR6		
		2FL/1200/X6RR6		
		2FL/0900B/X6RR6		
7570.7x5 (Pump)	2FL/0900/X6BK6	2FL/1200/X6RR6		
7570.8x5, 7585.8x5 & 7600.8x5 (Pump)	2FL/1050/X6VQ6	2FL/1200/X6RR6		
805, 815, 835, 845, 865 & 875 (Motor unit)	2FL/1050/X6VQ6	2FL/1200/X6RR6 (Old design impeller)	2FL/0074/OKIT	
		2FL/1050B/X6RR6		
820, 860 (Motor unit)	2FL/0900/X6BK6	2FL/0800/X6RR6	2FL/0039/OKIT	
		2FL/1200/X6RR6		
		2FL/0900B/X6RR6		

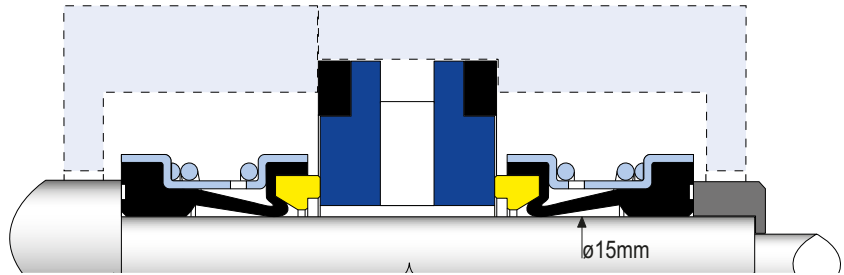
Pump Model	Upper Seal options	Lower Seal Options	O' Ring Kit	Bearing Kit
840, 841, 880, 881 & 900 (Motor unit)	2FL/0900/X6BK6	2FL/0800/X6RR6		
		2FL/1200/X6RR6		
		2FL/0900B/X6RR6		
905, 915, 925 & 935 (Motor unit)	2FL/1050/X6VQ6	2FL/1200/X6RR6	2FL/0075/OKIT	
Ready 4,8 & 16 (Pump)	2FL/0150/X6KK6KV			
Ready 40 (Pump)	2FL/0220/X6RK6 (Upper seal)	2FL/0220/X6RK6 (Lower seal)	2FL/0005/OKIT	2FL/0015/BKIT
	2FL/0220C/X6RK6 (Upper seal)	2FL/0220C/X6RK6 (lower seal)		
Ready 40.210 & Ready 56 (Pump)	2FL/0220/X6RK6 (Upper seal)	2FL/0220/X6RK6 (Lower seal)	2FL/0034/OKIT	2FL/0015/BKIT
	2FL/0220C/X6RK6 (Upper seal)	2FL/0220C/X6RK6 (lower seal)		
Ready 90 (Pump)	2FL/0280B/X6RK6 (Upper seal)	2FL/0280B/X6RK6 (lower seal)	2FL/0015/OKIT	2FL/0016/BKIT
Steady 5 (Pump)	2SBT/0150C/V26	2SBT/0150C/KK6	2FL/0058/OKIT	2FL/0046/BKIT
Steady 7 (Pump)	2FL/0200B/X6RK6 (Upper seal)	2FL/0200B/X6RK6 (Lower seal)		
	2FL/0200C/X6RR6 (No set screw alternative, fits as per the OEM)	2FL/0200C/X6RR6 (No set screw alternative, fits as per the OEM)		

2FL

Seals to suit Flygt Pumps and Mixers

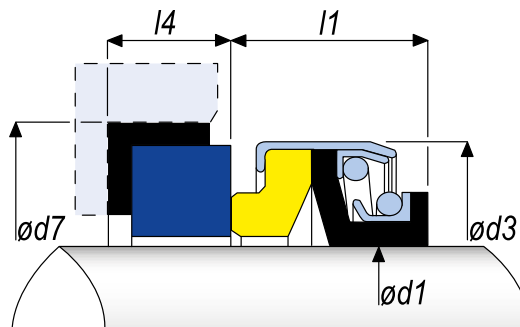
2FL/0150/X6KK6KV

Shaft Size: Ø15mm



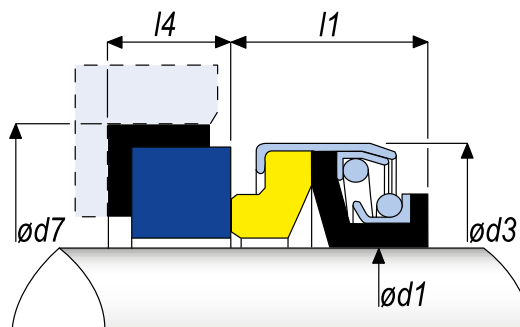
2SBT/0150C/V26

Shaft Size: Ø15mm



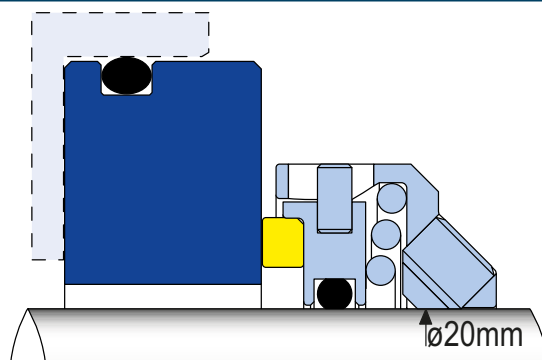
2SBT/0150C/KK6

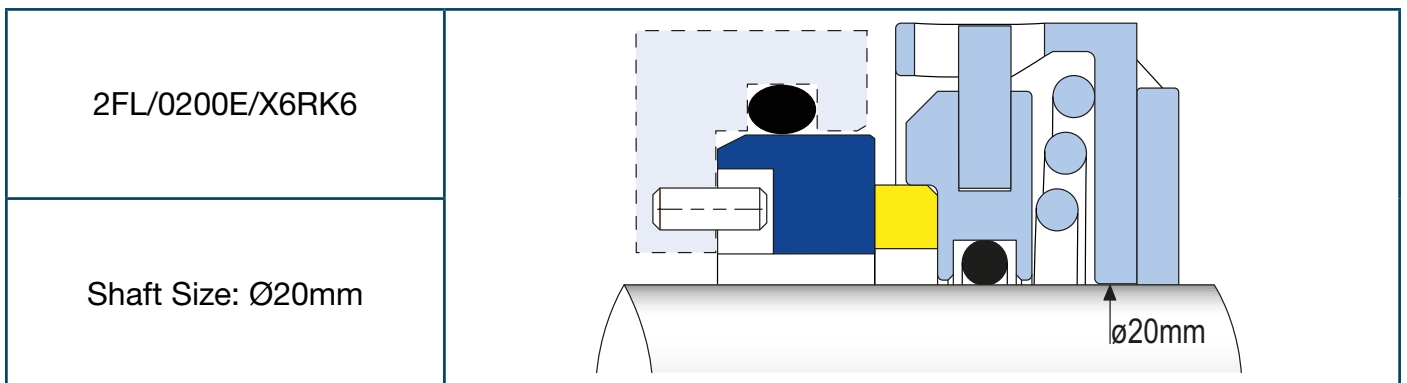
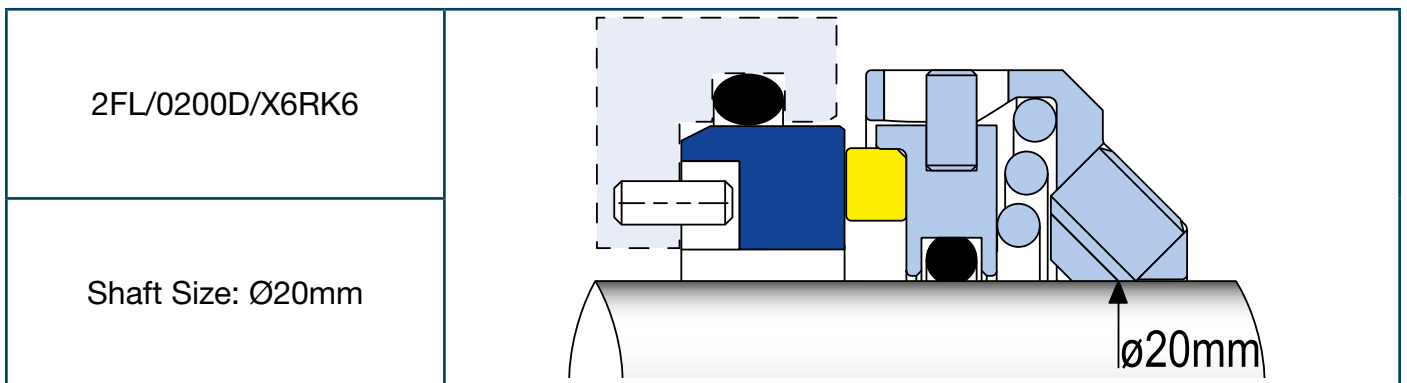
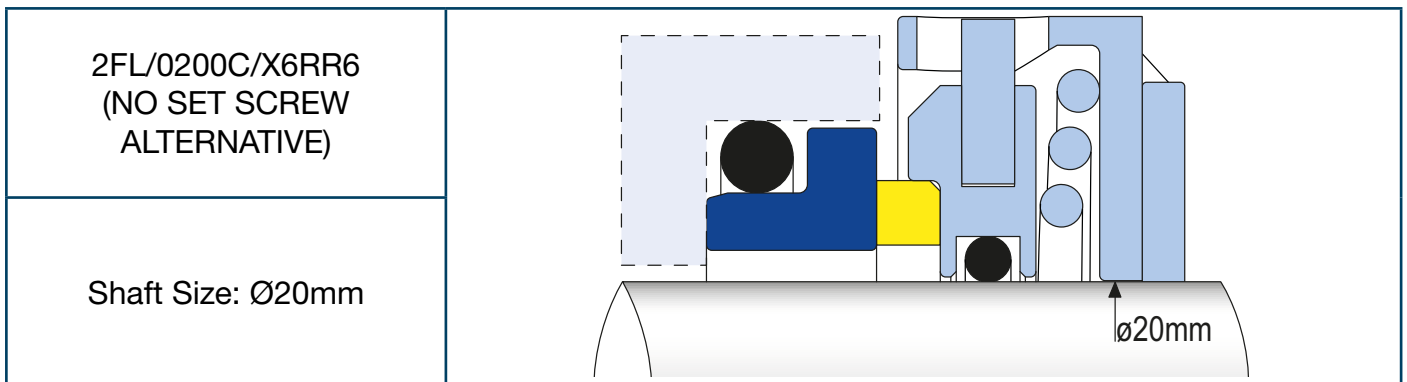
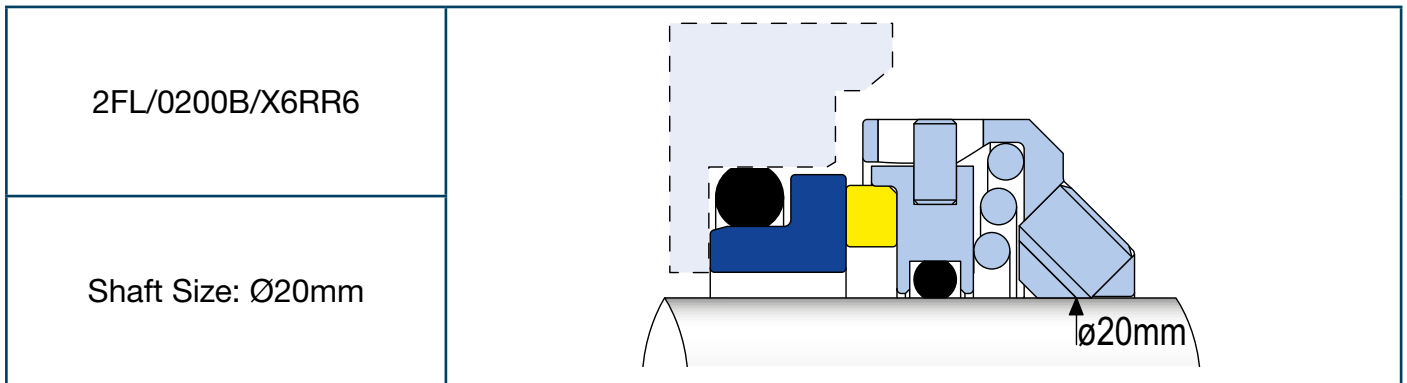
Shaft Size: Ø15mm

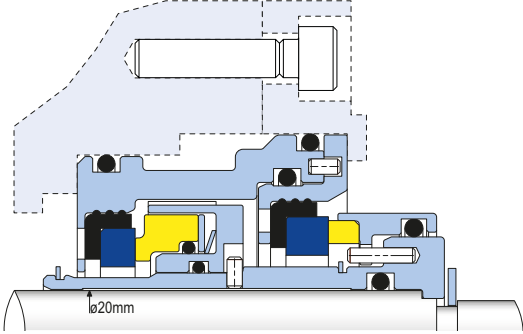


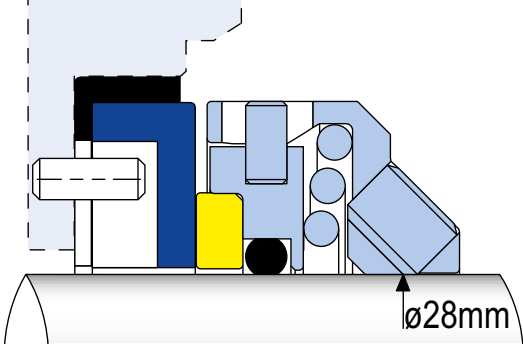
2FL/0200/V26

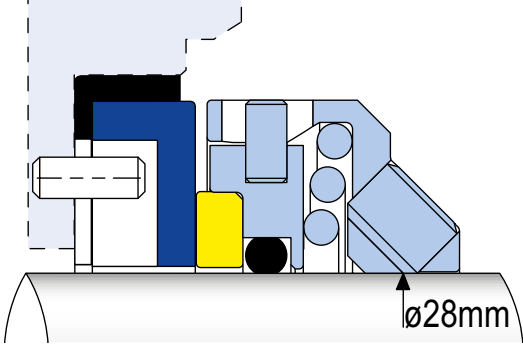
Shaft Size: Ø20mm

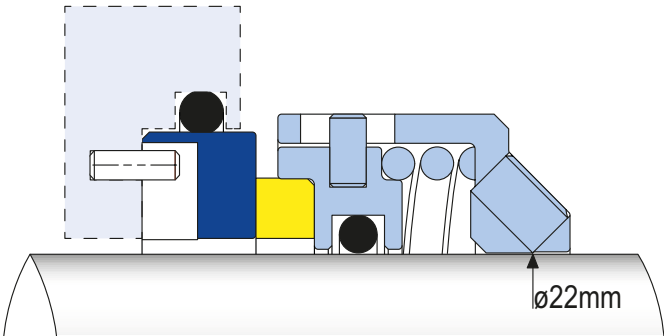


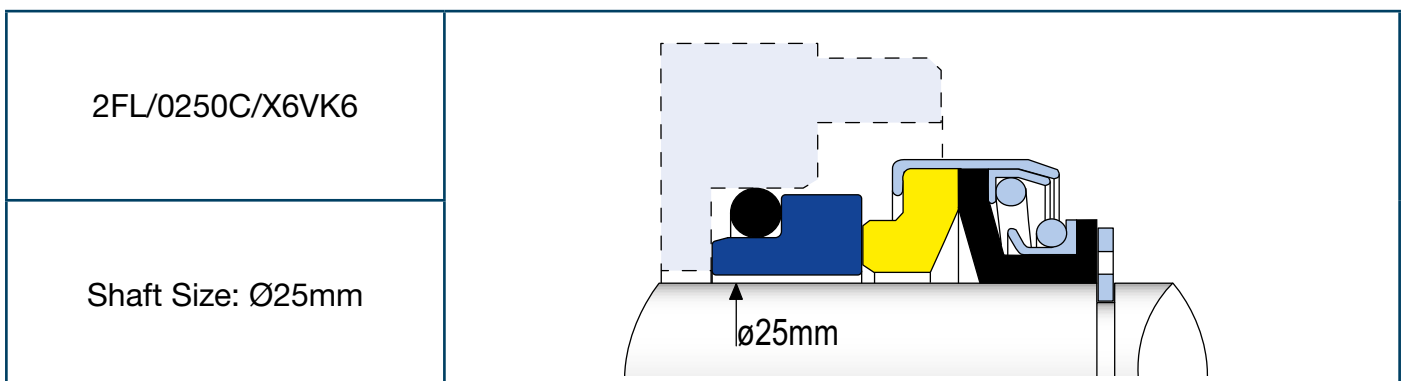
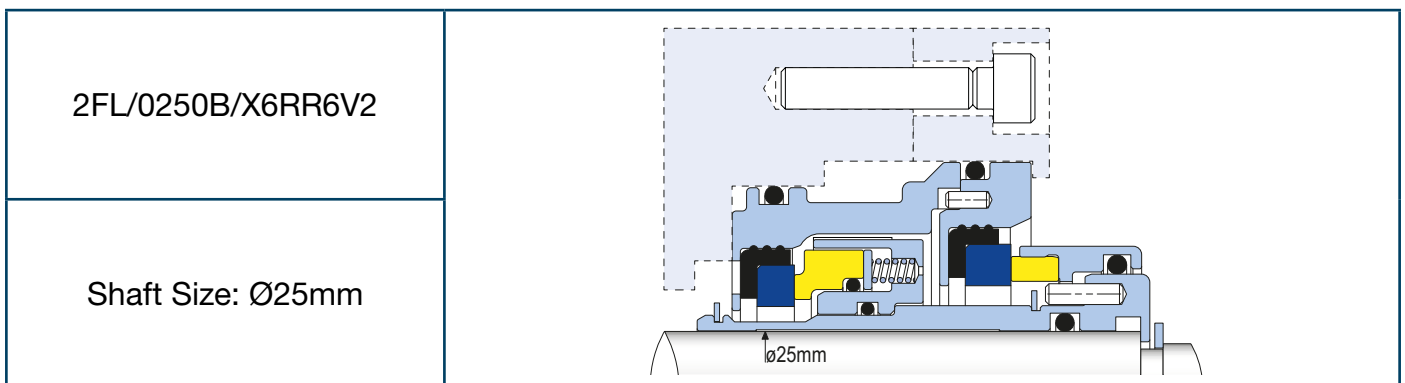
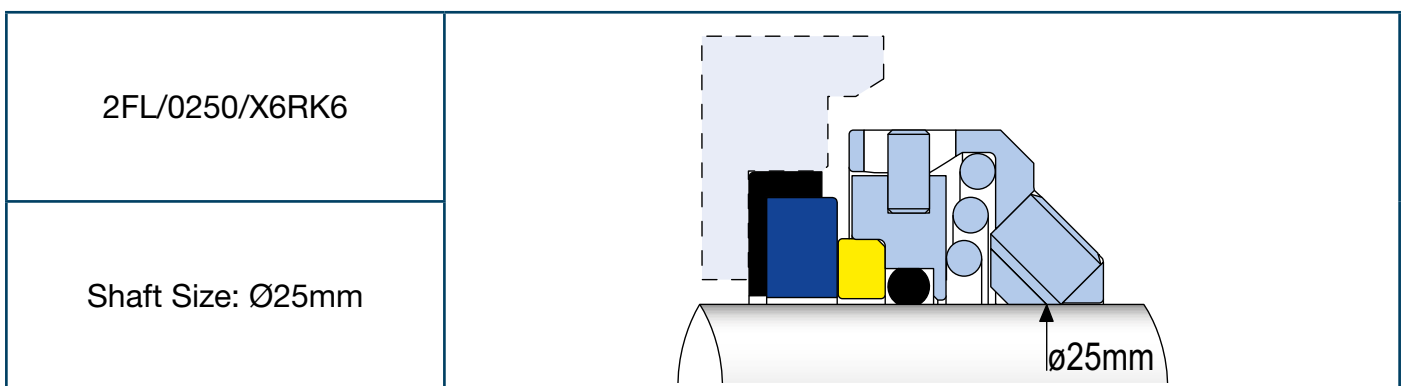
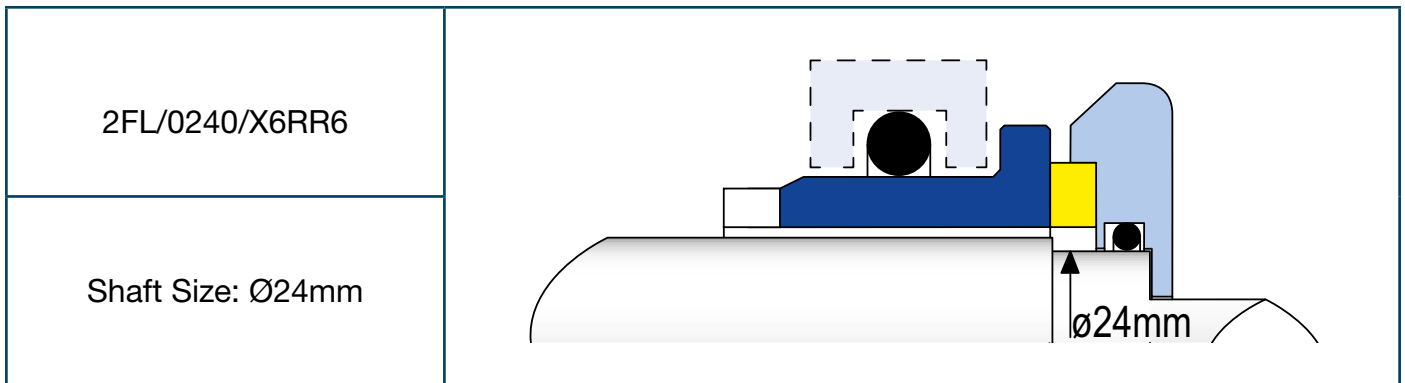


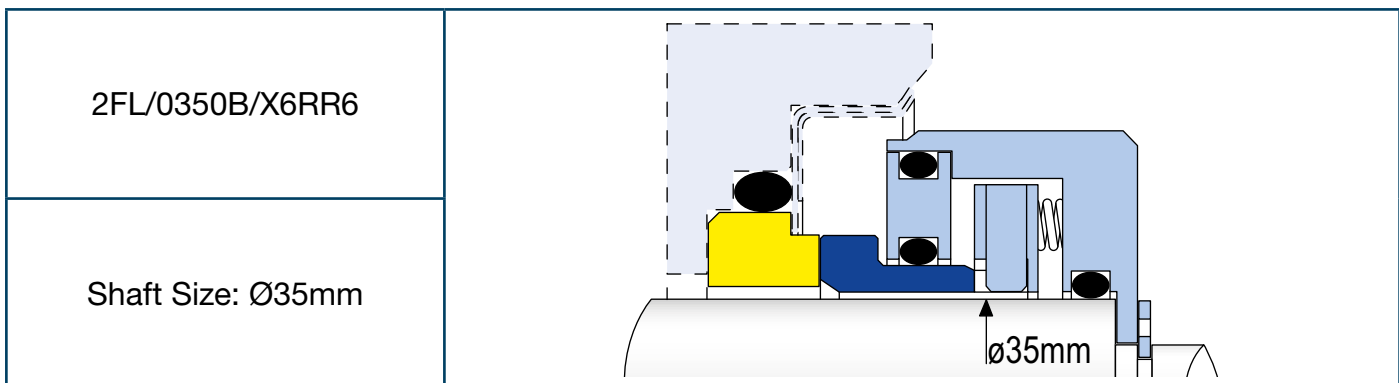
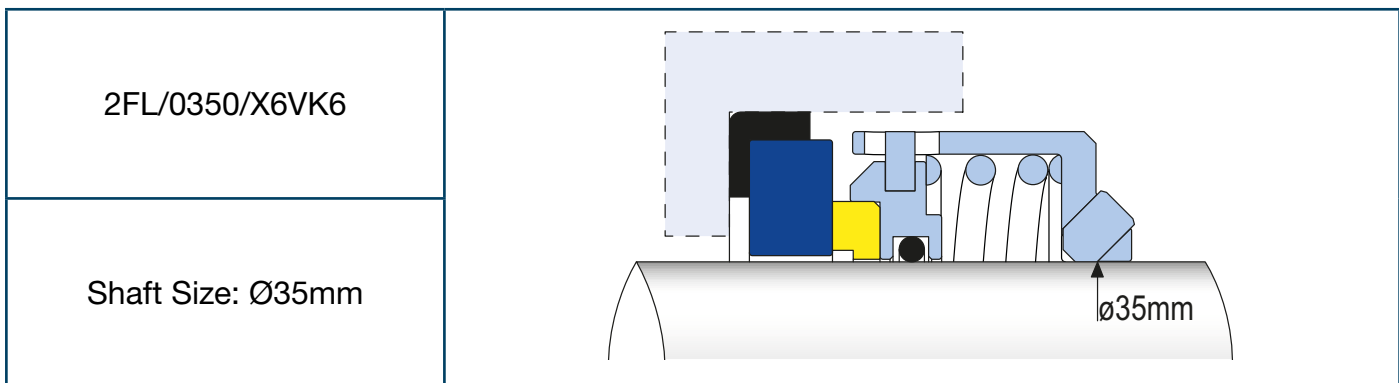
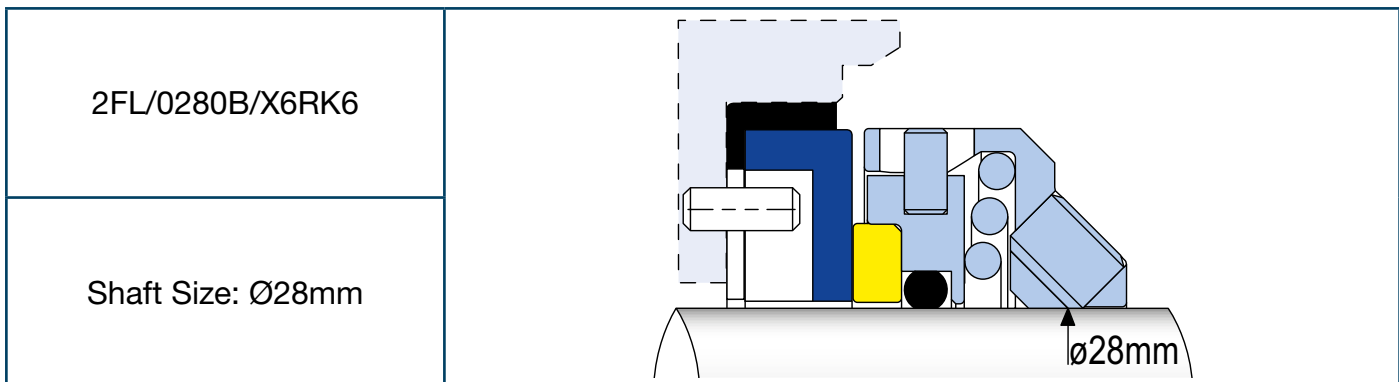
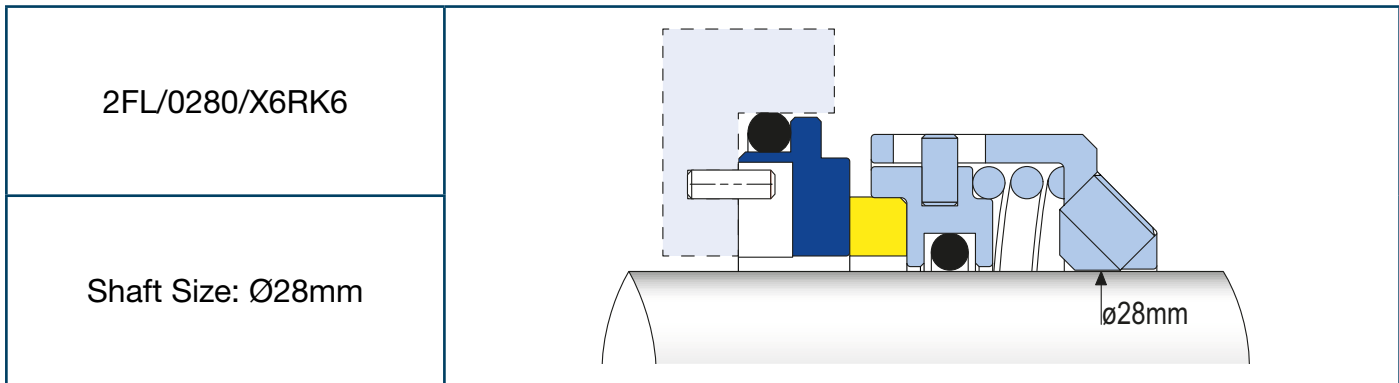
2FL/0200F/X6RR6V2	
Shaft Size: Ø20mm	

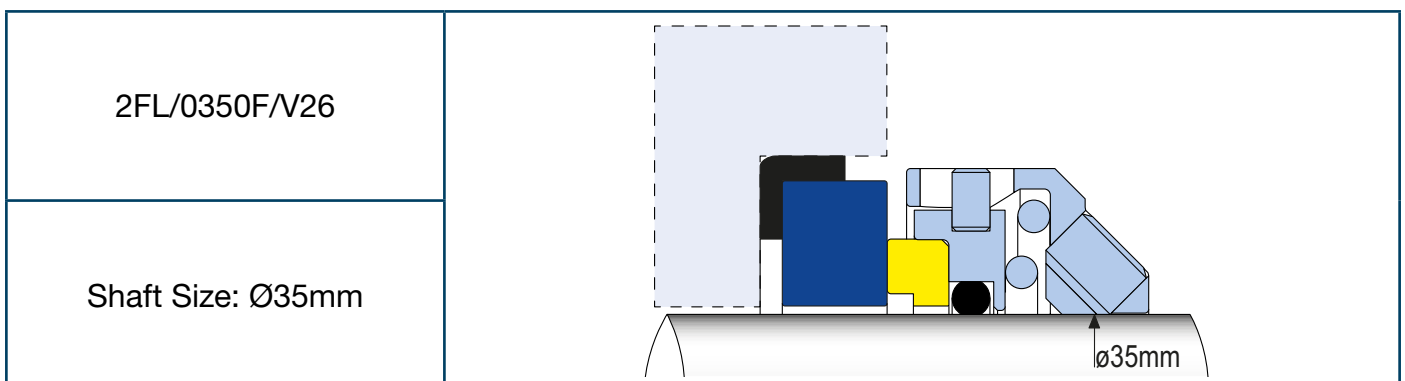
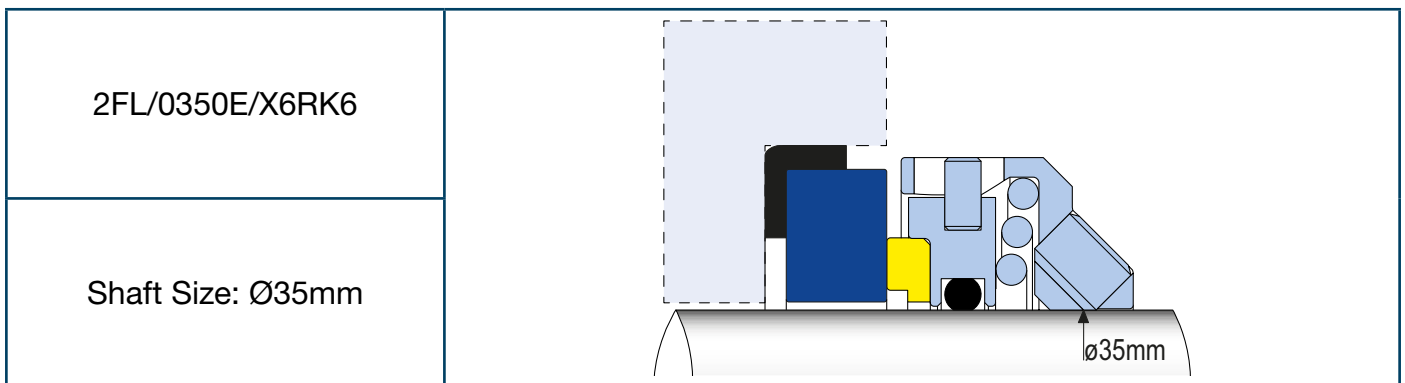
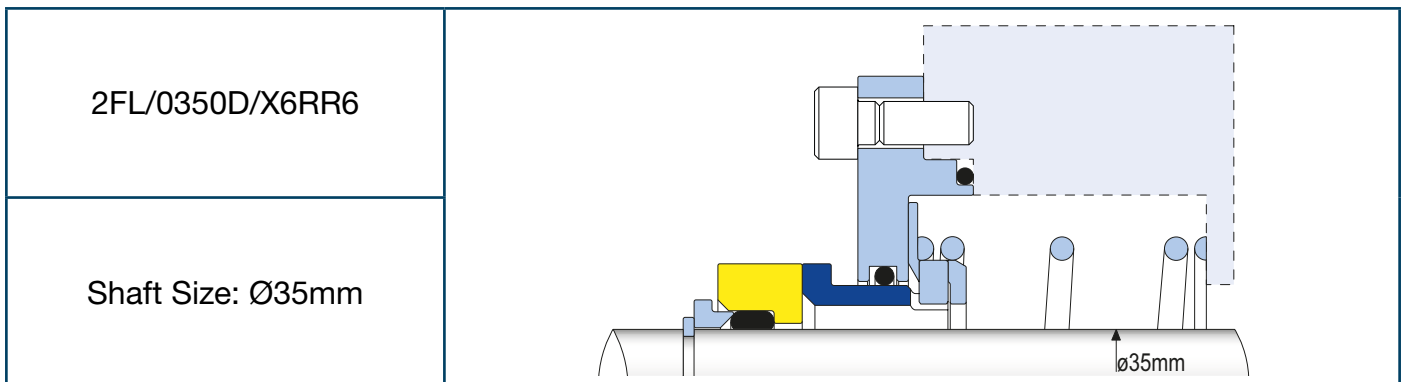
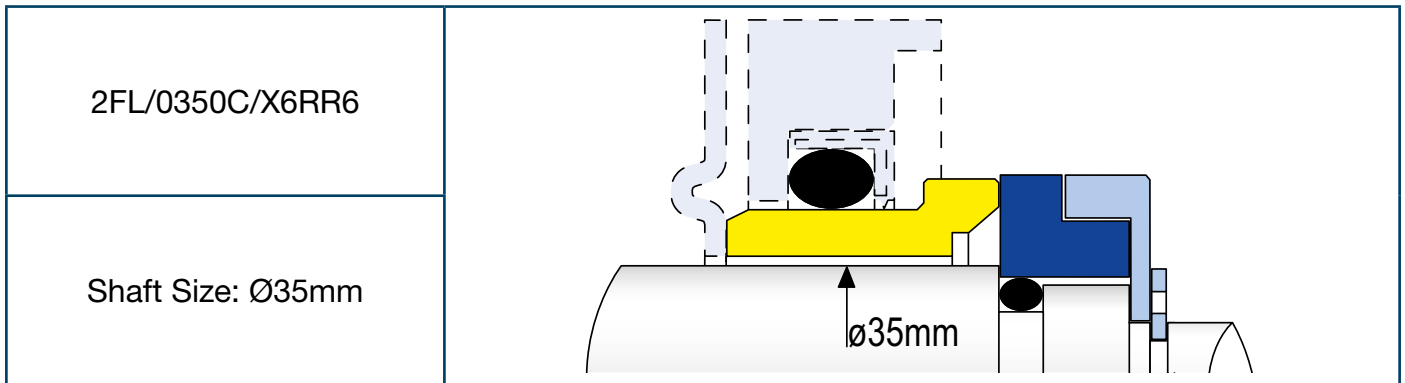
2FL/0220/X6RK6	
Shaft Size: Ø22mm	

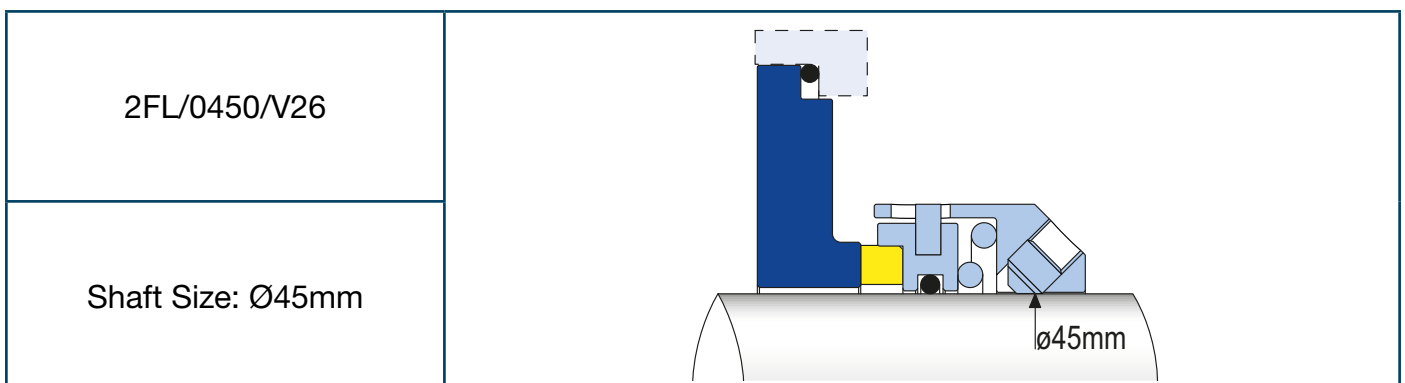
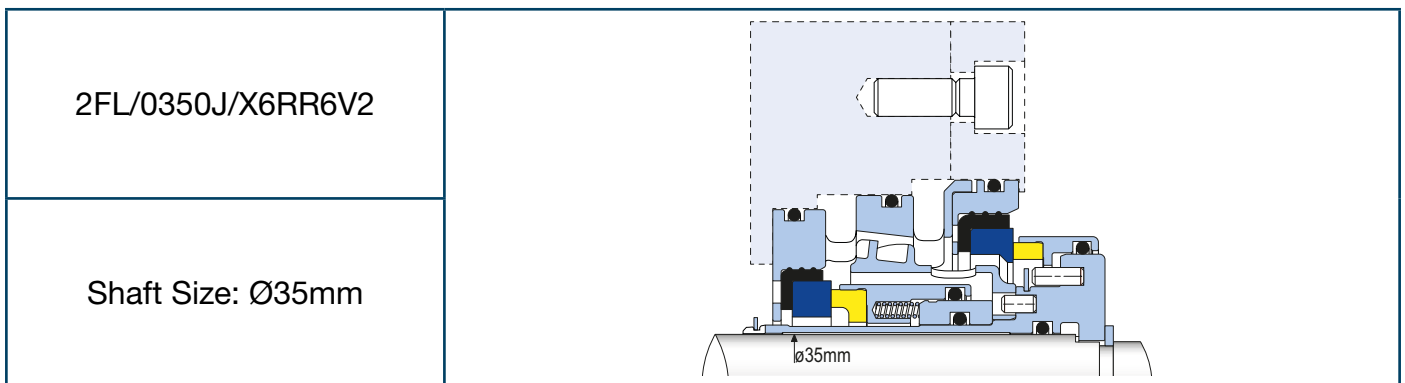
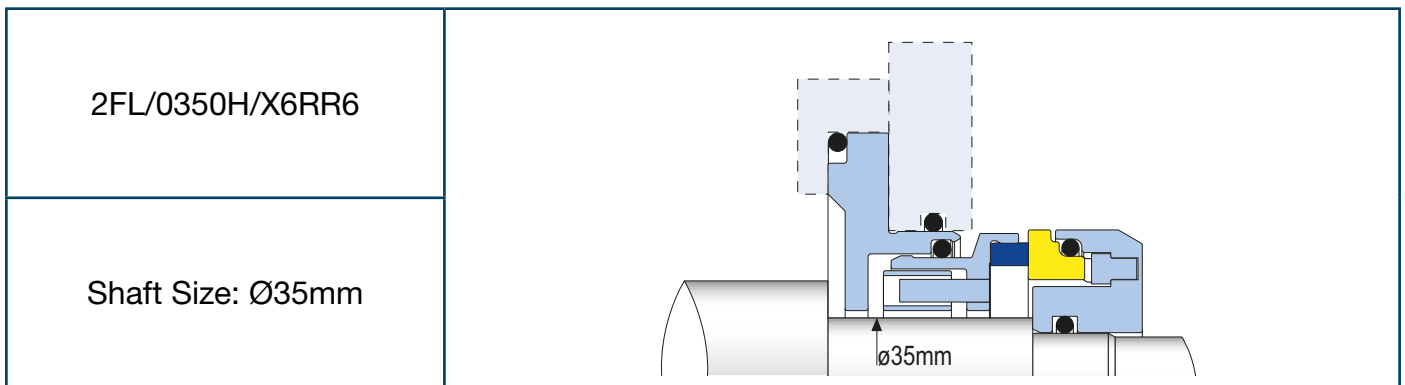
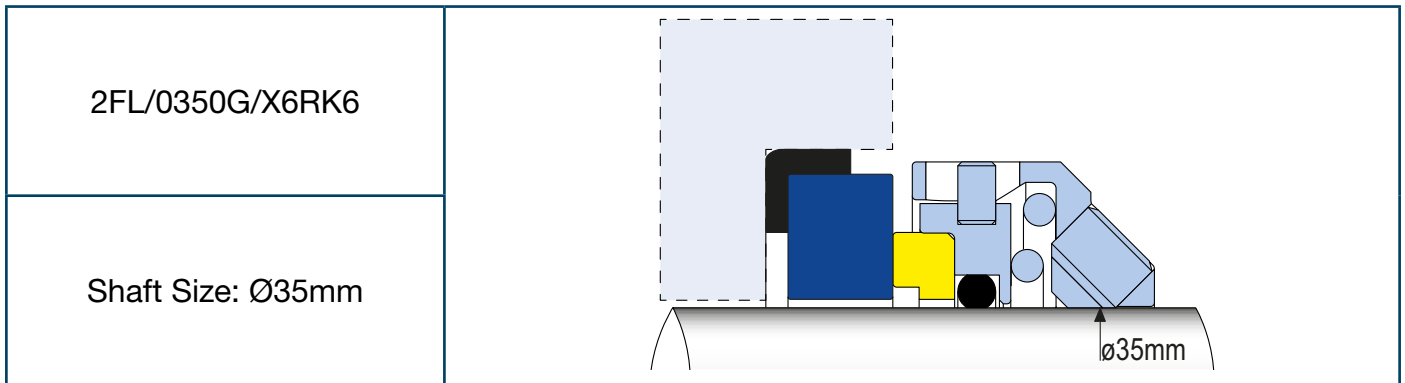
2FL/0220B/X6RK6	
Shaft Size: Ø22mm	

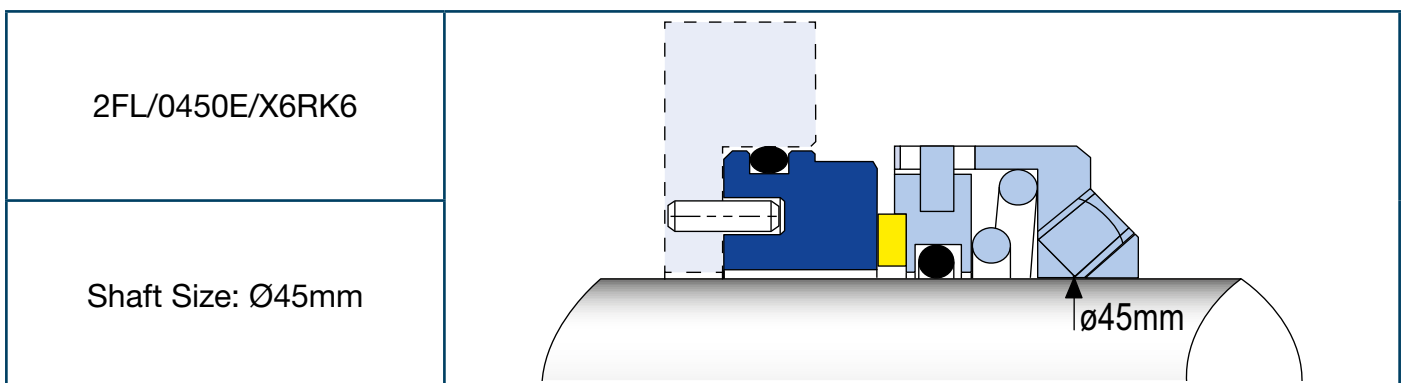
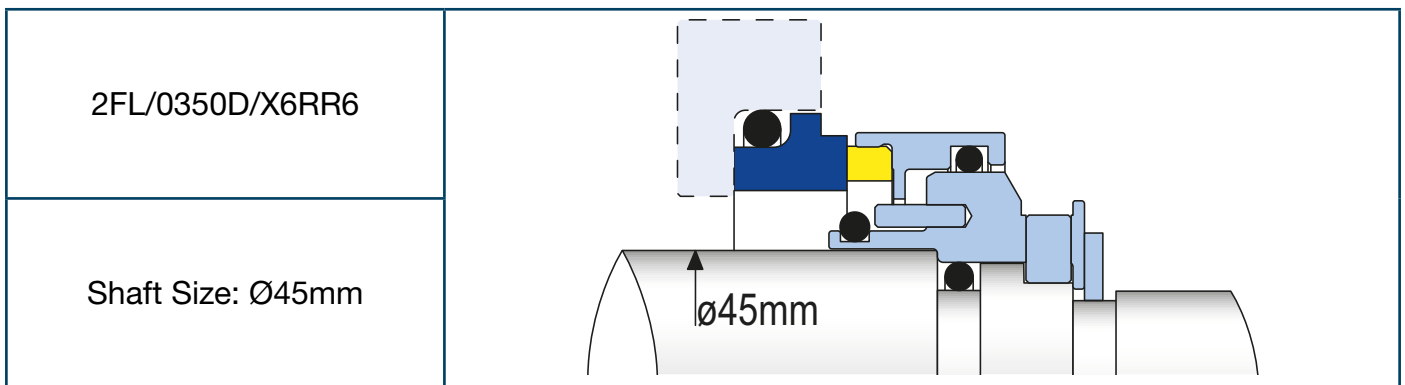
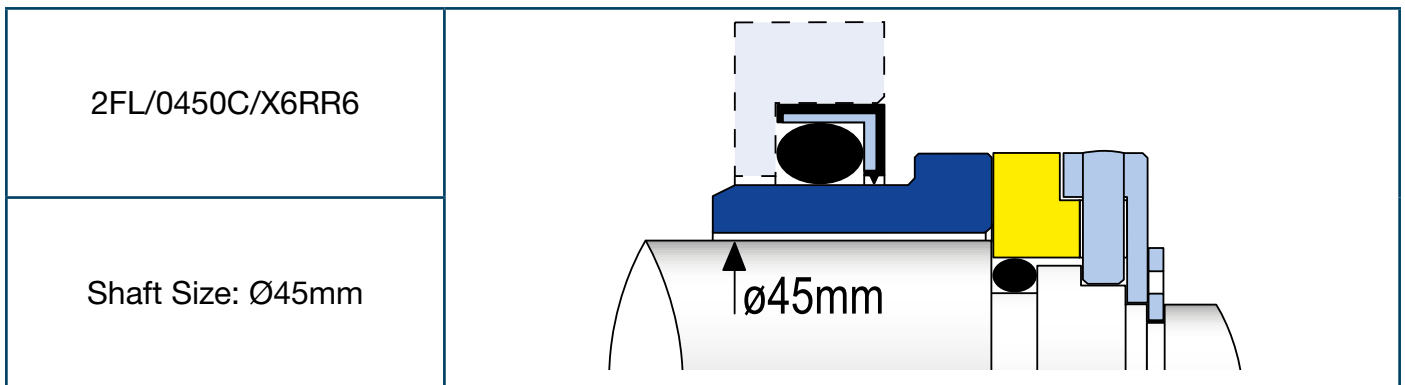
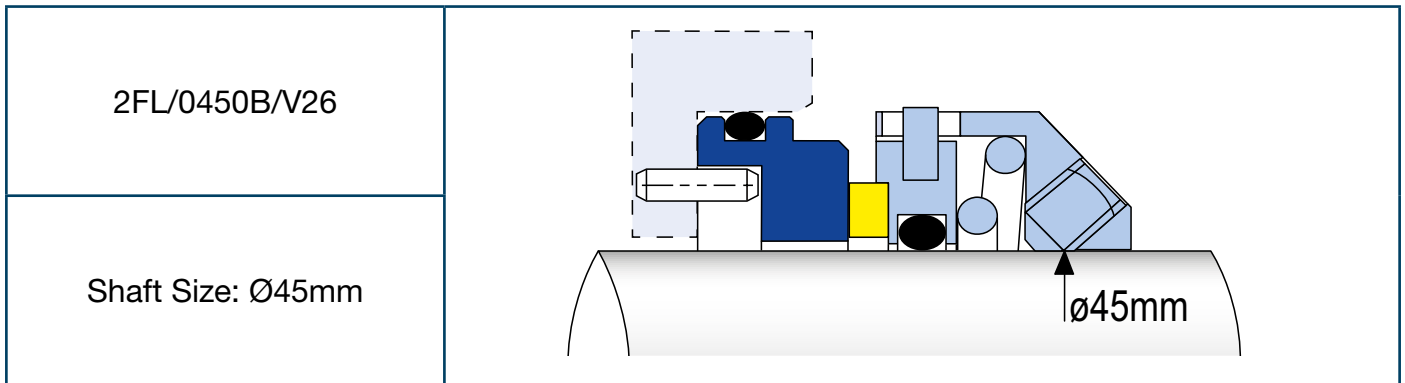
2FL/0220C/X6RK6	
Shaft Size: Ø22mm	

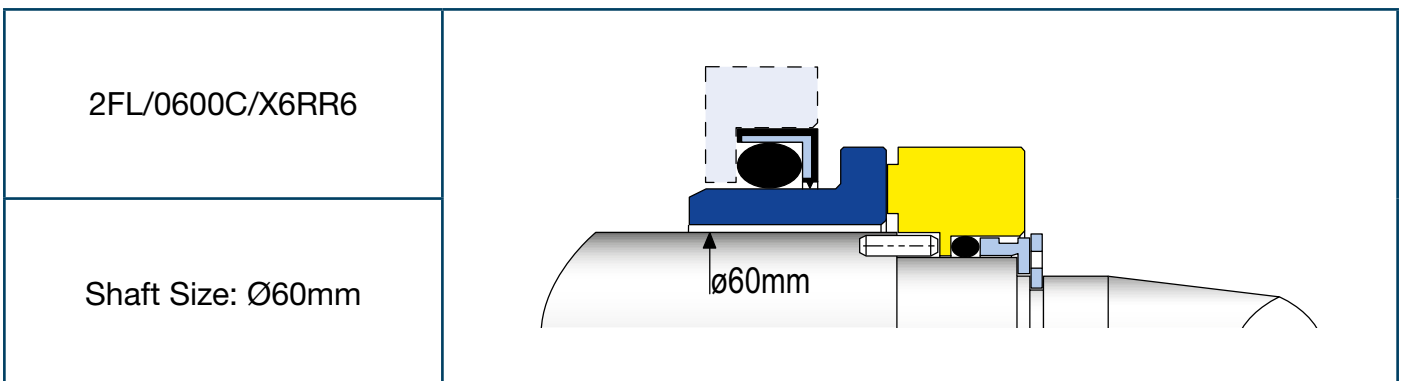
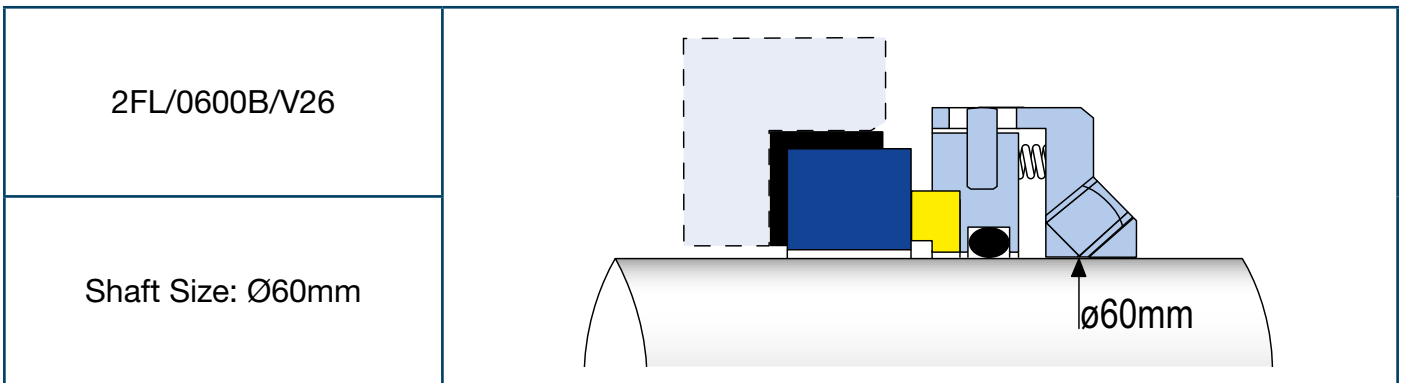
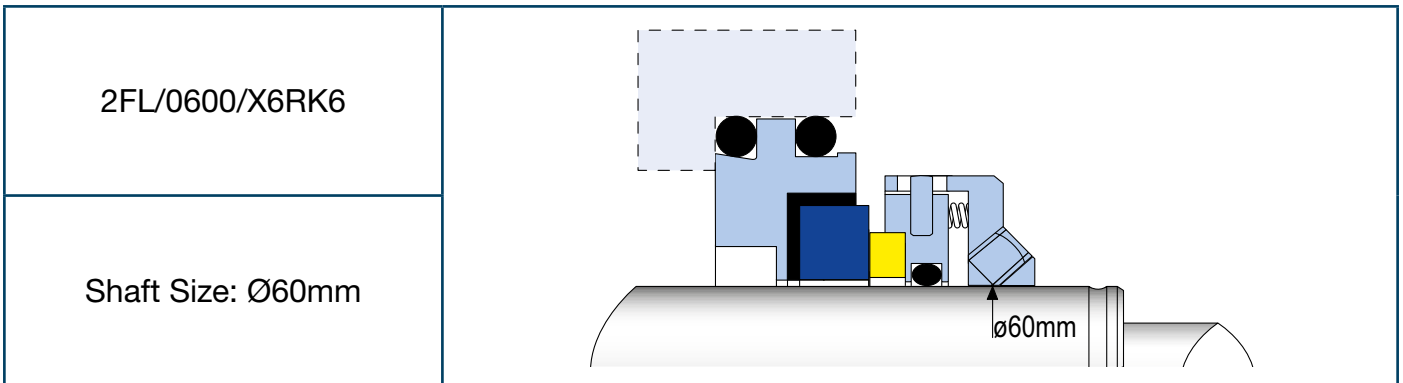
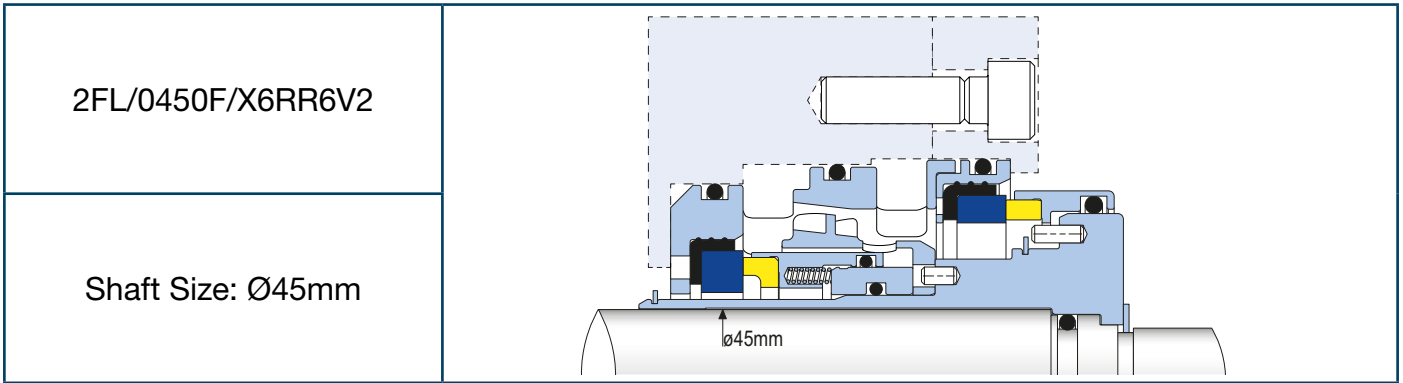


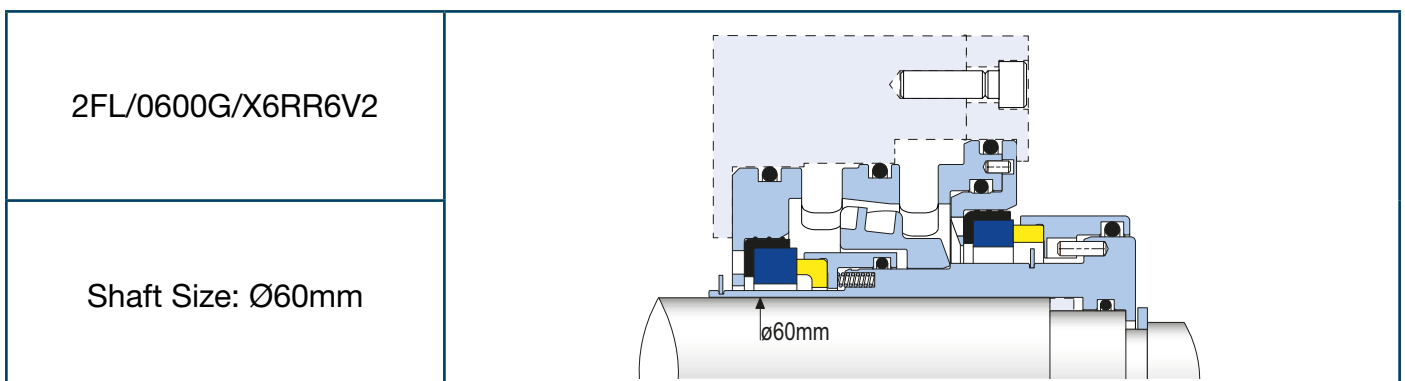
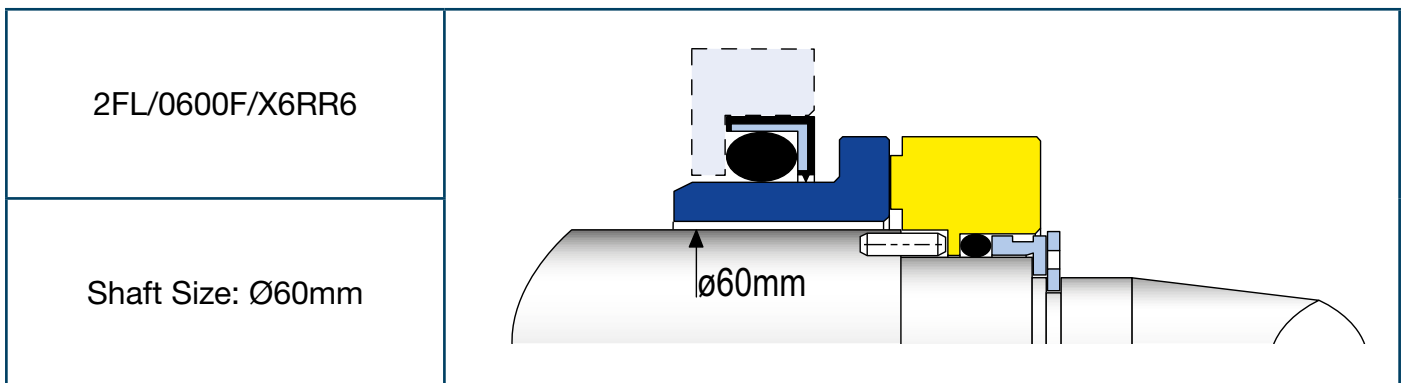
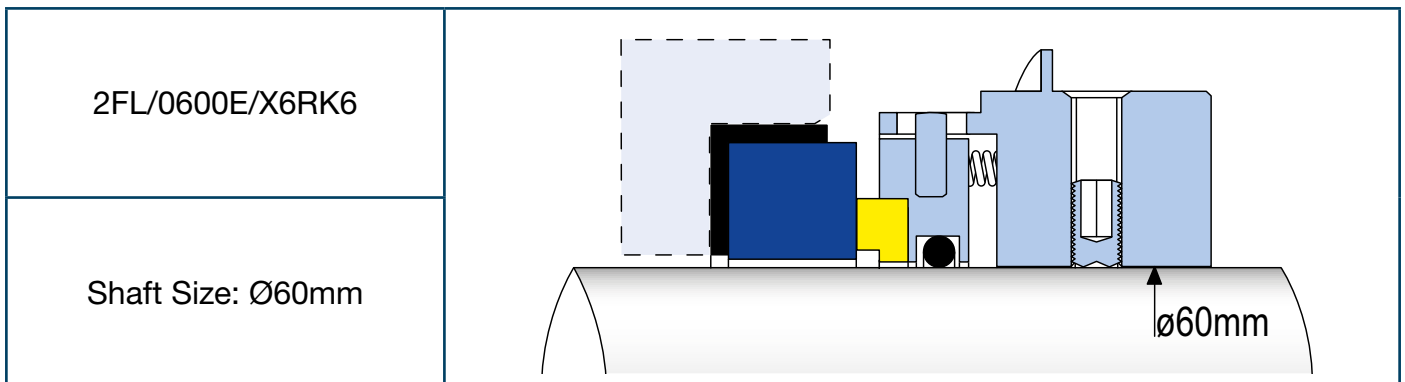
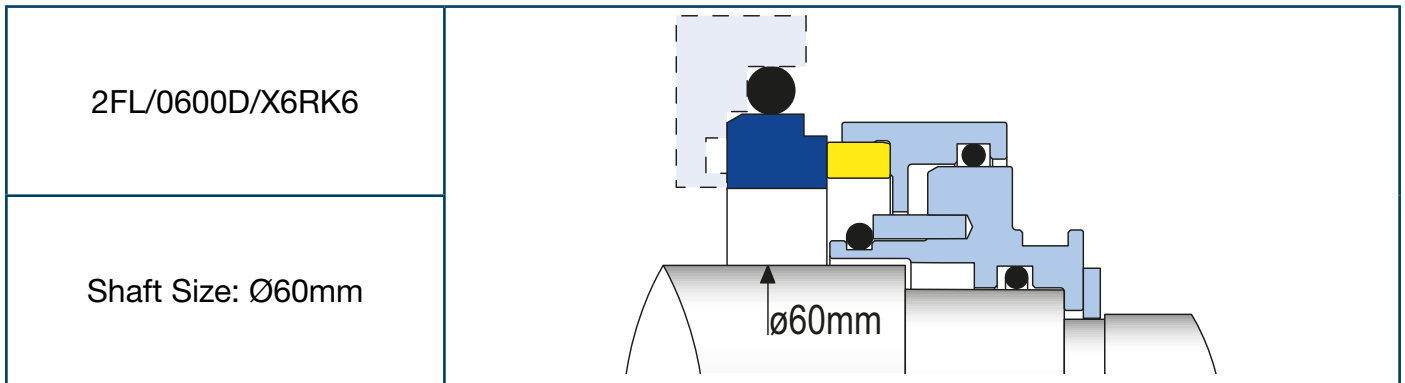


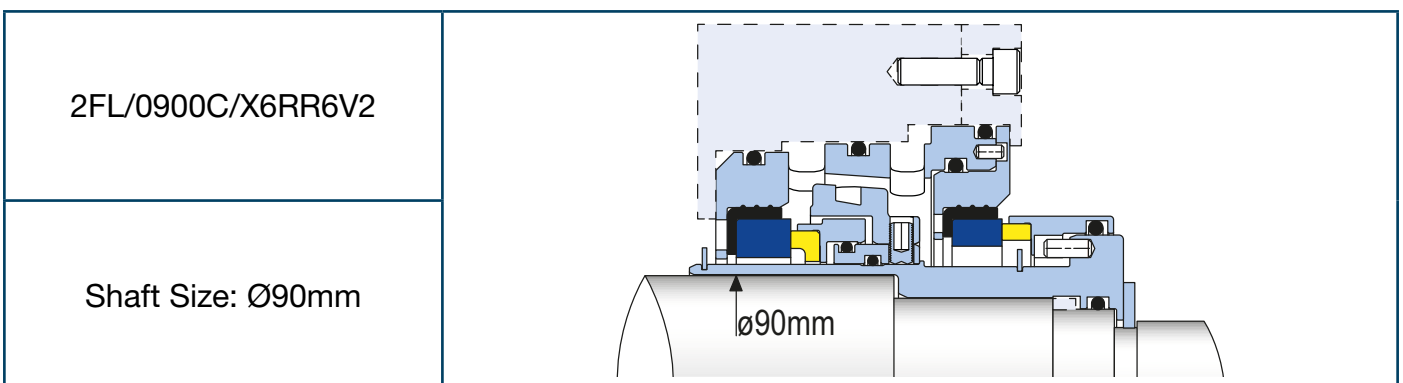
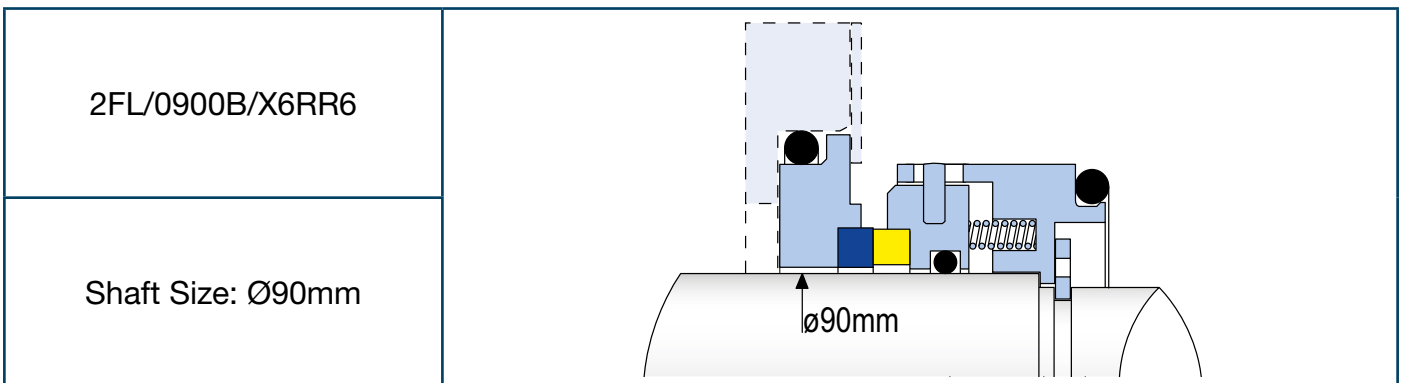
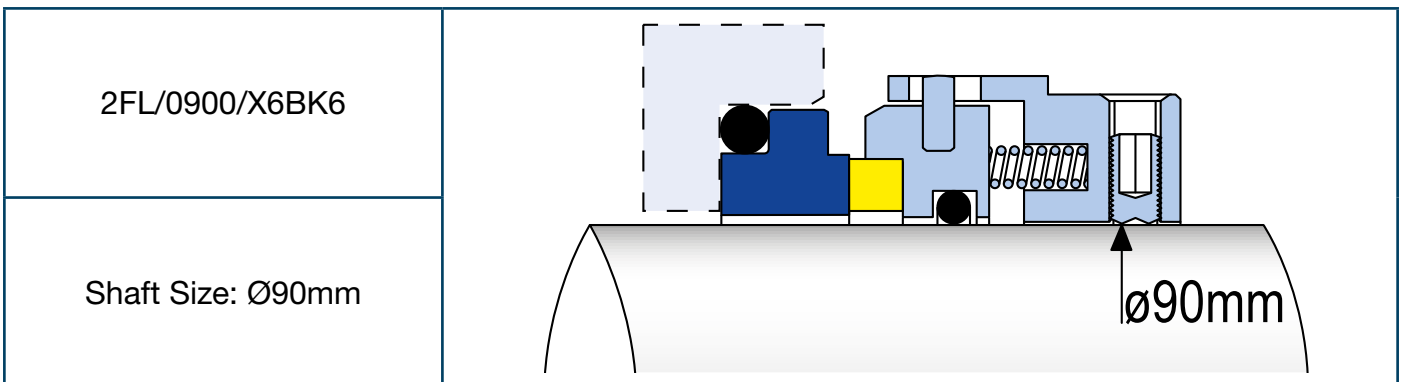
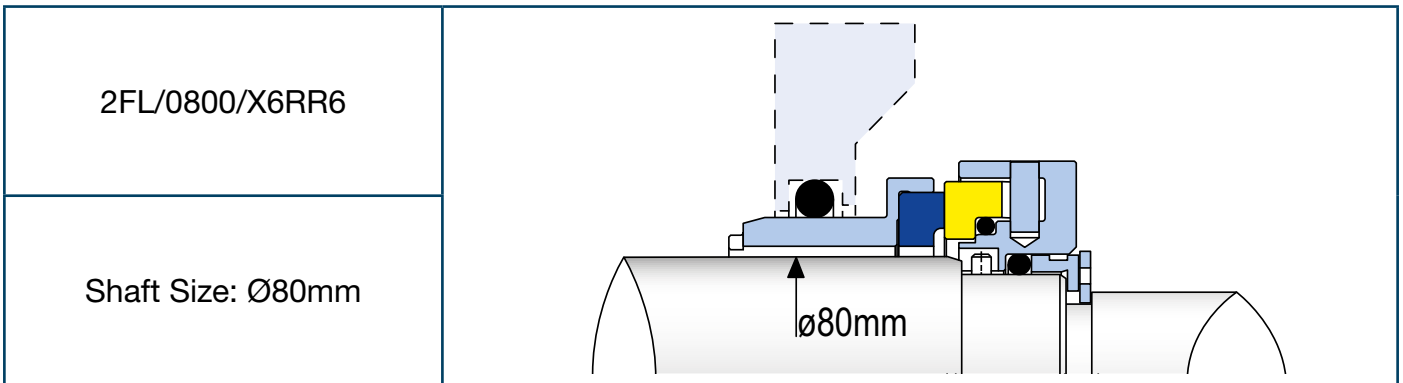


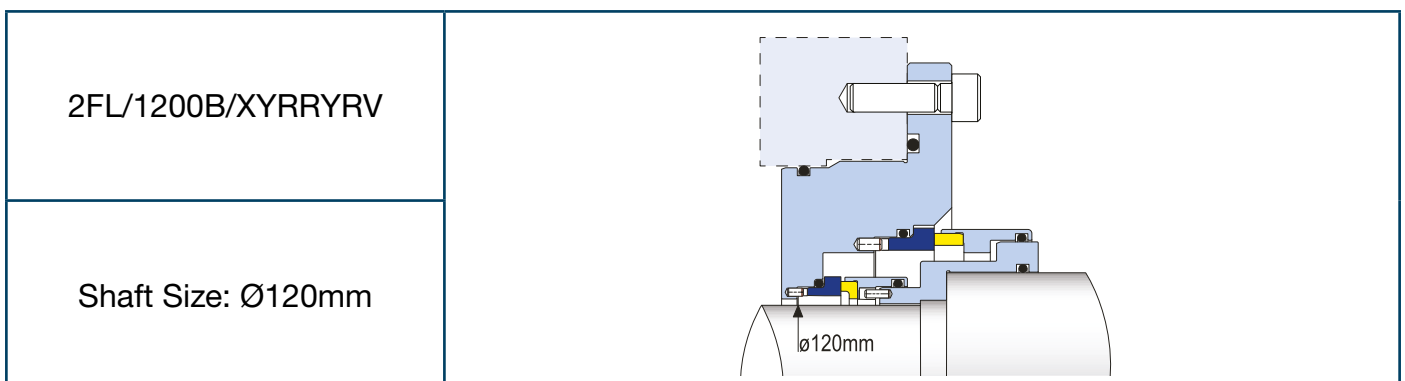
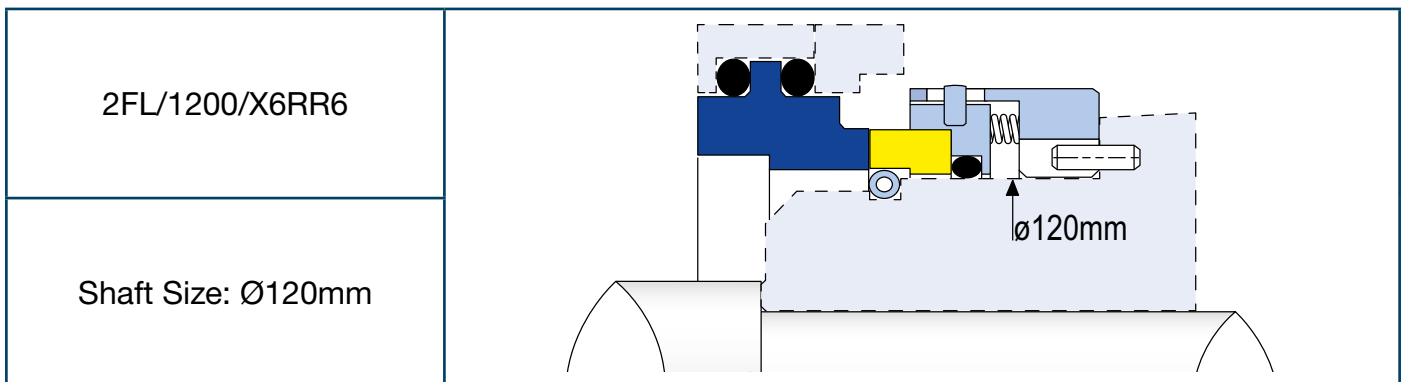
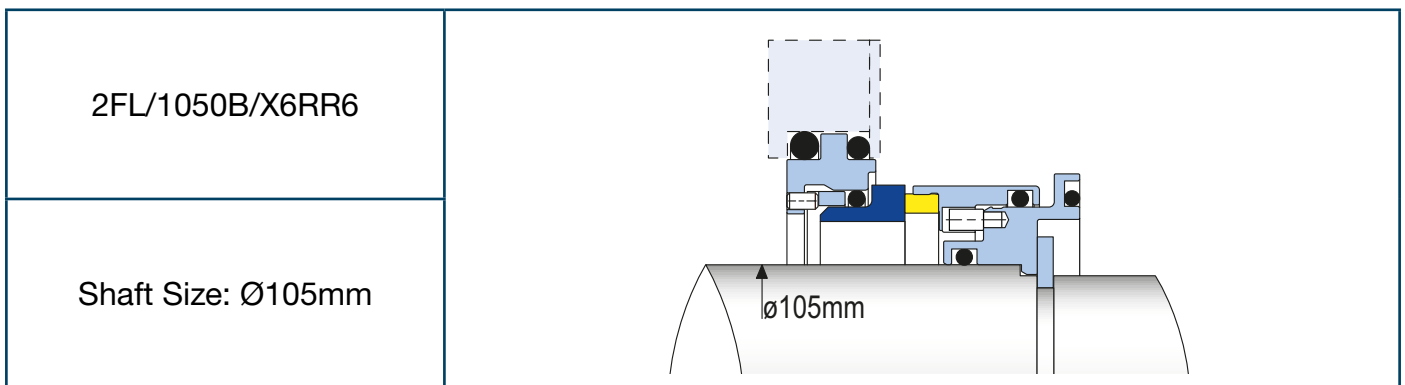
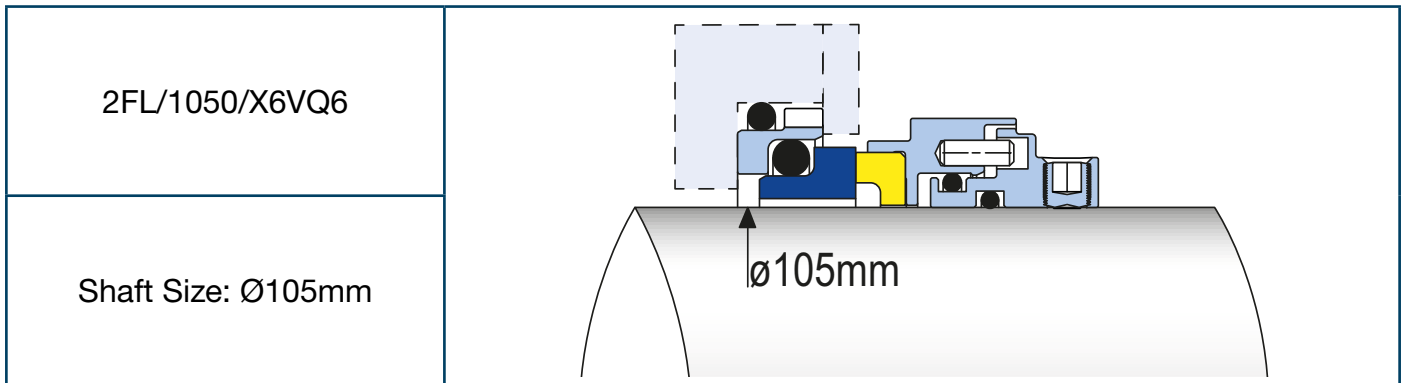




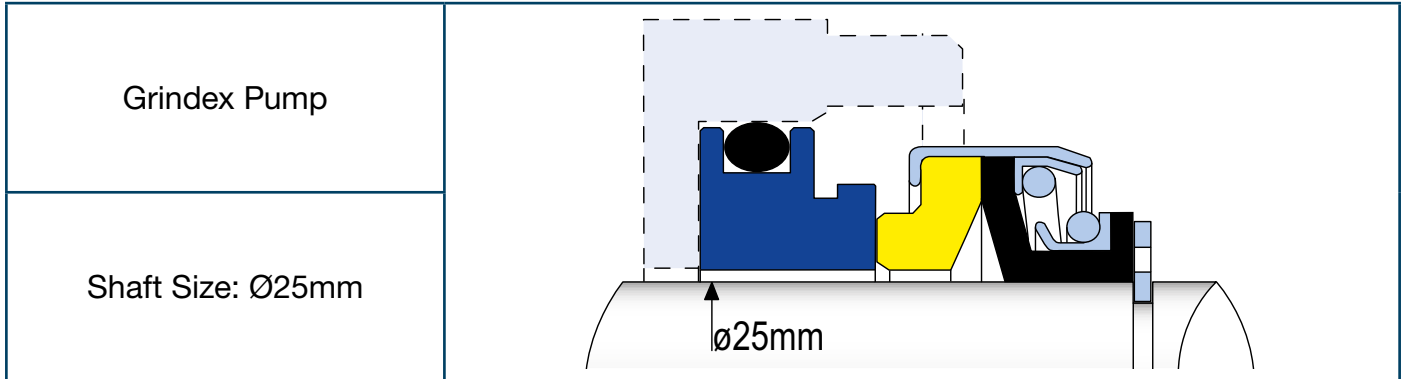






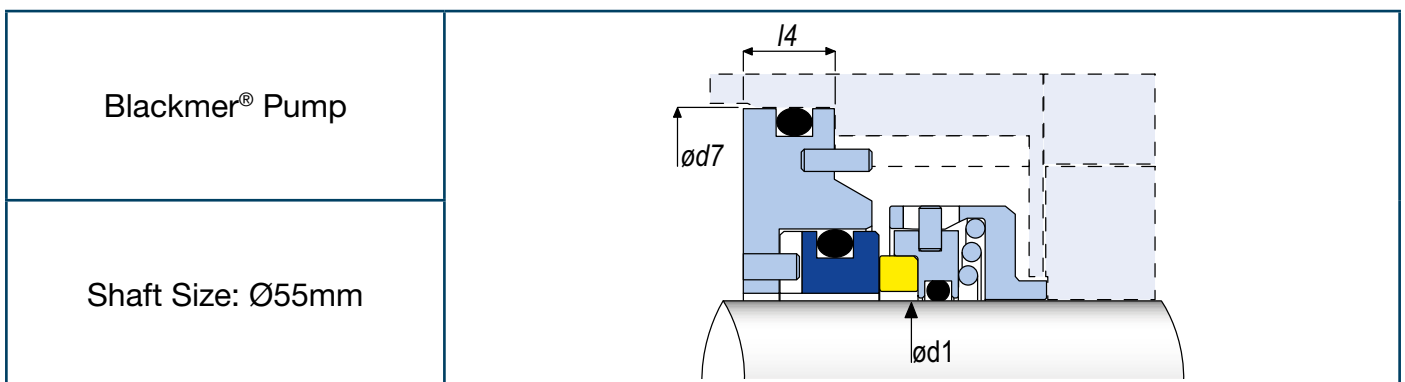
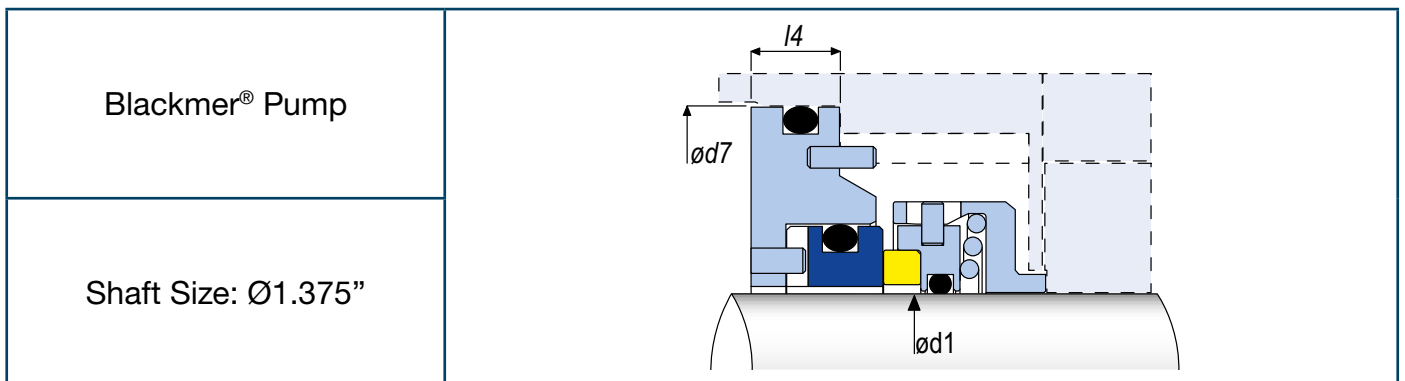


Seals to suit Grindex Pumps



*A comprehensive list of Grindex specific seals can be supplied on request

Seals to suit Blackmer® Pumps



Product Range

Other Submersible Pump Seals are available to suit all other major submersible pump manufacturers such as Tsurumi, Kirloskar, Ebara, Grundfos and many more.

AESSEAL Marine plc have a comprehensive range of Single Spring Seals, Single and Double Cartridge Seals and Seal Support Systems to suit all kinds of rotating equipment.

Contact us for more information.

Single Spring Seals



Component Seals



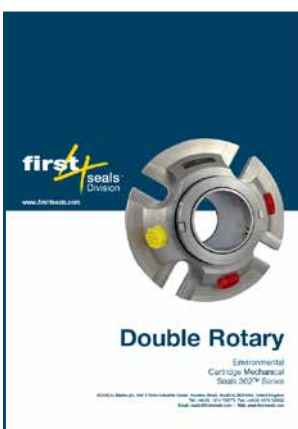
MV™ Single Rotary Cartridge Seals



301™/303A™ Single Rotary Cartridge Seals



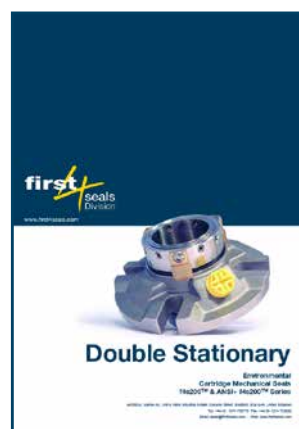
302™ Double Rotary Cartridge Seals



f4s100™ Single Stationary Cartridge Seals



f4s200™ Double Stationary Cartridge Seals



Seal Support Systems





AESSEAL Marine plc, Unit 4 Venlo Industrial Estate, Knowles Street,
Bradford, BD4 6HA, United Kingdom

Tel: +44 (0) 1274 720775 **Fax:** +44 (0) 1274 729022

Email: seals@first4seals.com - **Web:** www.first4seals.com